

300-037
5 NAUTICAL MILES
225° MASTHEAD LIGHT
SINGLE, VERTICALLY MOUNTED

The LED light consists of a cluster of LEDs that produces light in the specified angle.

The precision machined 6082 aluminium housing with an anodized surface makes the light a rugged and durable housing for the LEDs and electronics contained within.

The interior is completely filled with a special potting resin making it water- and vibration proof.

Produced in our in-house manufacturing facility to meet and exceed exacting standards such as EN14744 and UL1104, under a quality management system continuously surveyed by Lloyds Register Quality Assurance.

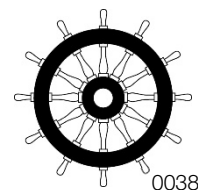
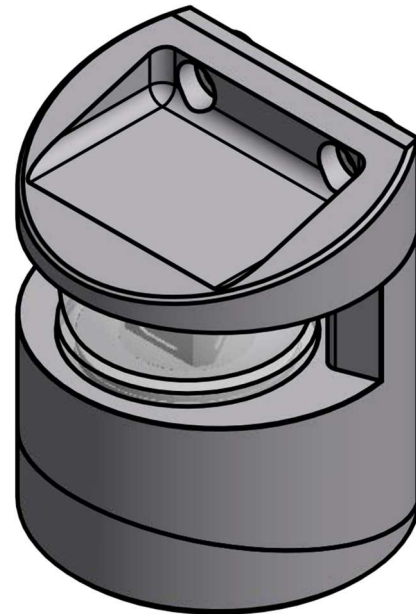
Each light is subjected to final testing for a minimum of 16 hours of continuous operation bringing the total test time beyond 24 hours.

This navigation light is in compliance with the following standards:

- COLREG72
- EN14744
- IEC 60945
- USCG (UL1104)

Together with an appropriate Control & Monitoring System, such as Lopolight's own NLC* this navigation light can form part of an IMO MSC 253(83), LY3 and LY4 compliant system.

*) information found here: www.lopolight.com/NlcPanel



Technical specifications

Vessel size: 20m - 50m (65' - 164')
Visibility: >5 nautical miles
Intensity: >52 cd
Power consumption; 7 Watt; Current: 0,3A @ 24 VDC
Operating voltage: 22 - 32 V DC
Number of LEDs: 3
Light colour: **White**
Operating temperature: -25°C to +55°C
IP Rating: **IP68**
Mounting: **Vertical**

Connection: 1 cable consisting of 2 x 0,5 mm² leads, a screen and insulation.

- Red lead = Power
- Black lead = GND

Certification: The product is certified by Lloyds (LR) and certificates can be found on www.lopolight.com under certificates.

The product is in compliance with the following standards:
COLREG72/ EN14744 / IEC 60945 / USCG (UL1104)

Dimensions: **See drawing**
Weight: **0,96kg**

Warranty:

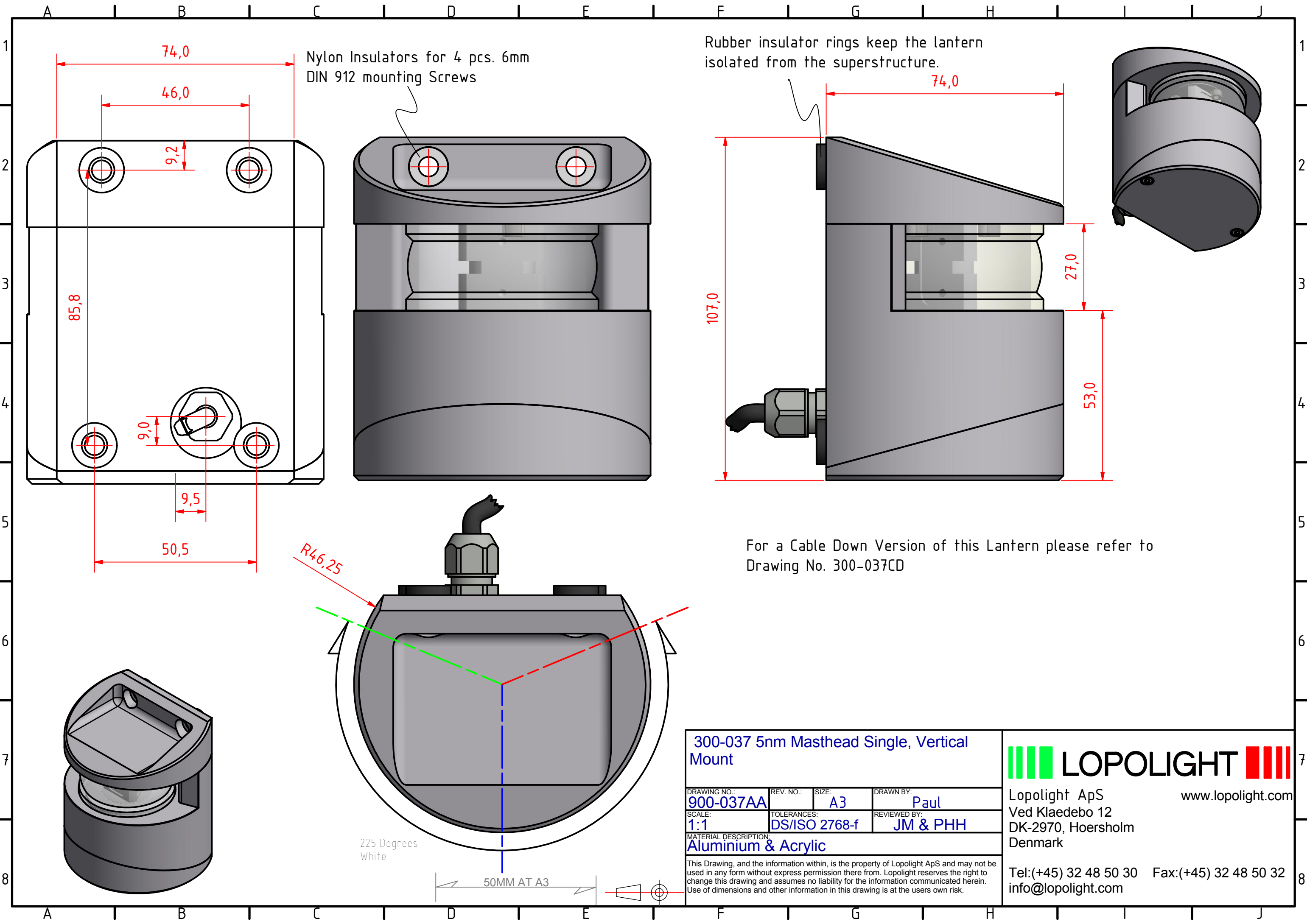
Lopolight products are covered by a 5-year limited warranty.
Warranty conditions can be found on www.lopolight.com/Service

Included in the package:

- 1 pc. Navigation light, pre-cabled with 1,5m marine grade cable
- 4 pcs. M6x8 mounting screws
- Installation instructions

Ordering information

CABLE OPTION	CABLE LENGTH	PART NUMBER SILVER FINISH	PART NUMBER BLACK FINISH
Cable back (drawing A) (Standard)	0,75m / 2.5' (standard)	300-037	300-037-B
Cable down (drawing B)	0,75m / 2.5'	300-037-CD	300-037-B-CD



Nylon Insulators for 4 pcs. 6mm
DIN 912 mounting Screws

Rubber insulator rings keep the lantern
isolated from the superstructure.

For a Cable Down Version of this Lantern please refer to
Drawing No. 300-037CD

300-037 5nm Masthead Single, Vertical Mount

DRAWING NO.: 900-037AA	REV. NO.:	SIZE: A3	DRAWN BY: Paul
SCALE: 1:1	TOLERANCES: DS/ISO 2768-f	REVIEWED BY: JM & PHH	

MATERIAL DESCRIPTION:
Aluminium & Acrylic

This Drawing, and the information within, is the property of Lopolight ApS and may not be used in any form without express permission there from. Lopolight reserves the right to change this drawing and assumes no liability for the information communicated herein. Use of dimensions and other information in this drawing is at the users own risk.



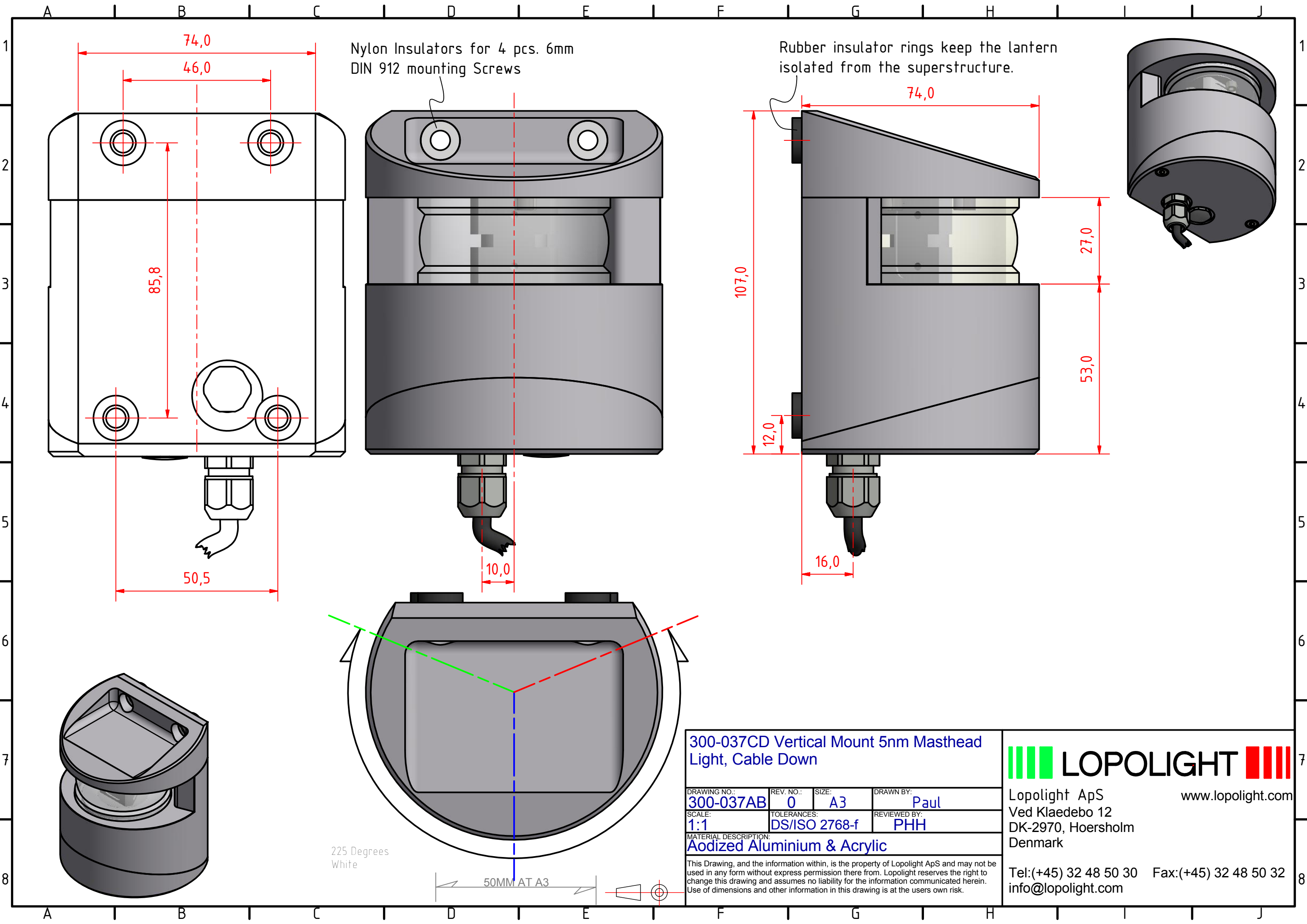
Lopolight ApS
Ved Klaedebo 12
DK-2970, Hoersholm
Denmark

Tel: (+45) 32 48 50 30 Fax: (+45) 32 48 50 32
info@lopolight.com

www.lopolight.com

50MM AT A3

225 Degrees
White



Nylon Insulators for 4 pcs. 6mm
DIN 912 mounting Screws

Rubber insulator rings keep the lantern
isolated from the superstructure.

**300-037CD Vertical Mount 5nm Masthead
Light, Cable Down**

DRAWING NO.:	REV. NO.:	SIZE:	DRAWN BY:
300-037AB	0	A3	Paul
SCALE:	TOLERANCES:	REVIEWED BY:	
1:1	DS/ISO 2768-f	PHH	

MATERIAL DESCRIPTION:
Anodized Aluminium & Acrylic

This Drawing, and the information within, is the property of Lopolight ApS and may not be used in any form without express permission there from. Lopolight reserves the right to change this drawing and assumes no liability for the information communicated herein. Use of dimensions and other information in this drawing is at the users own risk.



Lopolight ApS
Ved Klaedebo 12
DK-2970, Hoersholm
Denmark

Tel: (+45) 32 48 50 30 Fax: (+45) 32 48 50 32
info@lopolight.com

225 Degrees
White

50MM AT A3