

## 300-038+012 – 5NM 225° WHITE DOUBLE MASTHEAD LIGHT & 2NM 360° WHITE ANCHOR LIGHT

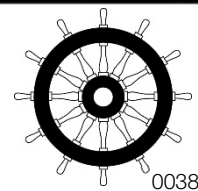
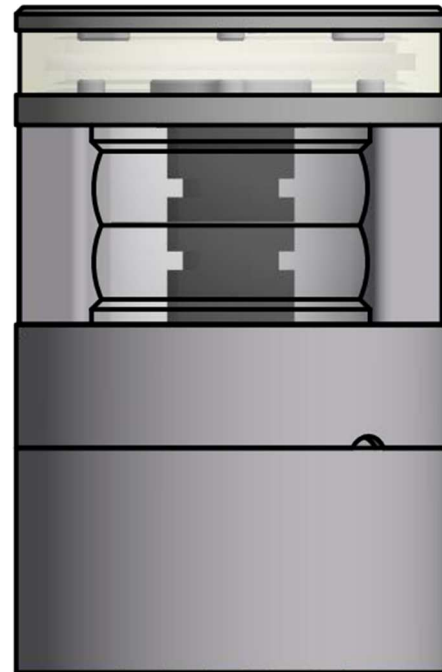
The LED masthead light consists of two (2) individual lights, each with which a cluster of LEDs that produces light in the specified angle that can be activated separately. One is dedicated as the primary, the other the secondary.

The LED anchor light consist of an array of LEDs that produces light in the specified angle.

The precision machined 6082 aluminium housing with a hard coated anodized surface makes the light a rugged and durable housing for the LEDs and electronics contained within, and the polished PMMA lens delivers a clear light with colour ranging that is well within the standard for maritime use.

Lastly all the interior is completely filled with a special potting resin making it water- and vibration proof before each light is subjected to final testing for no less than 16 hours of continuous operation bringing the total test period beyond 24 hours.

Lopolight products are covered by a 5-year limited warranty. This warranty covers direct exchange of the malfunctioning product and is given under the assumption that the lights have been operated within the specifications of lights.



Technical specifications

Vessel size: 20m - 50m (65' - 164')

Visibility:

Masthead: >5 nautical miles

Anchor light: >2 nautical miles

Intensity:

Masthead: >52 cd

Anchor light: >5,4 cd

Mounting: **Horizontal**

Operating voltage:

Masthead: 22 - 32 VDC

Anchor light: 10 - 32 VDC

Number of LEDs:

Masthead: 3 x2 = 6

Anchor light: 28

Light colour: **White**

Operating temperature: -25°C to +55°C

IP Rating: **IP68**

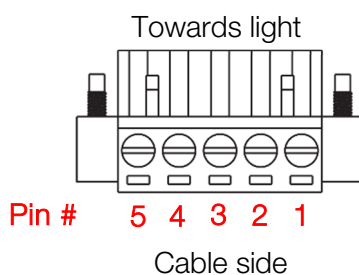
Power consumption;

Masthead: 7 Watt; Current @ 24 VDC: 0,3A

Anchor light: 2,6 Watt; Current @ 12 VDC: 0,22 A – Current @ 24 VDC: 0,11 A

Connection: 3 cables consisting of 2 x 0,5 mm<sup>2</sup> leads, a screen and insulation.

- Pin 1 - Red lead = Primary light power
- Pin 2 - Black lead = Primary light GND
- Pin 3 - No lead = Not used
- Pin 4 - Red = Secondary light power
- Pin 5 - Black = Secondary light GND



Certification: The product is certified by Lloyds (LR) and certificates can be found on [www.lopolight.com](http://www.lopolight.com) under certificates.

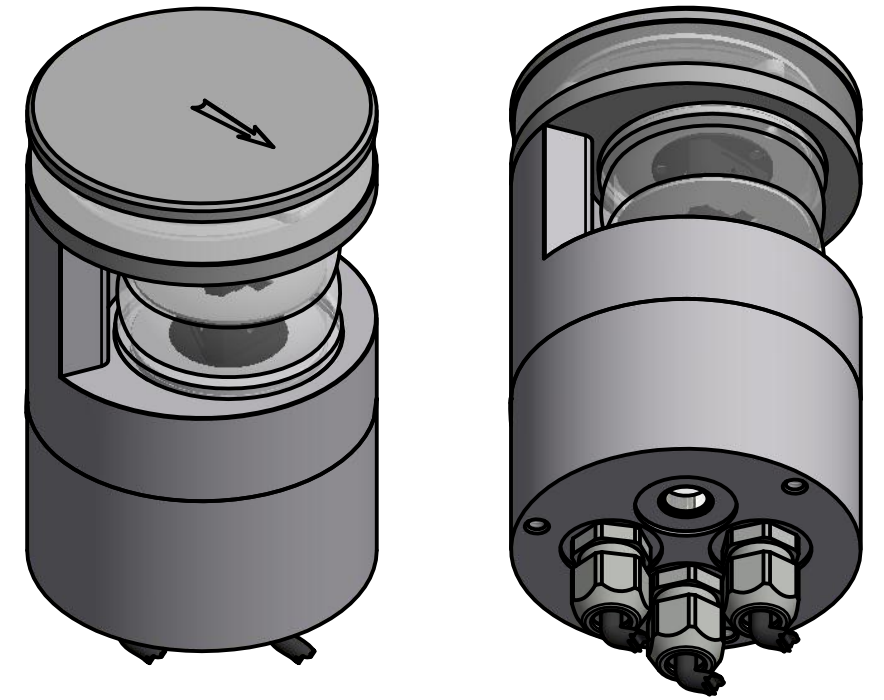
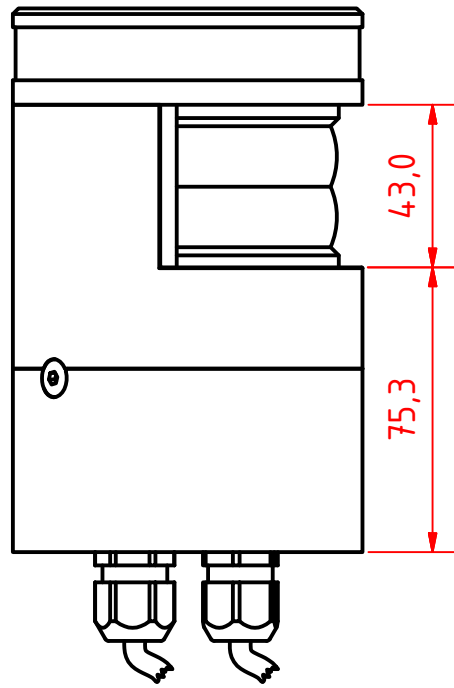
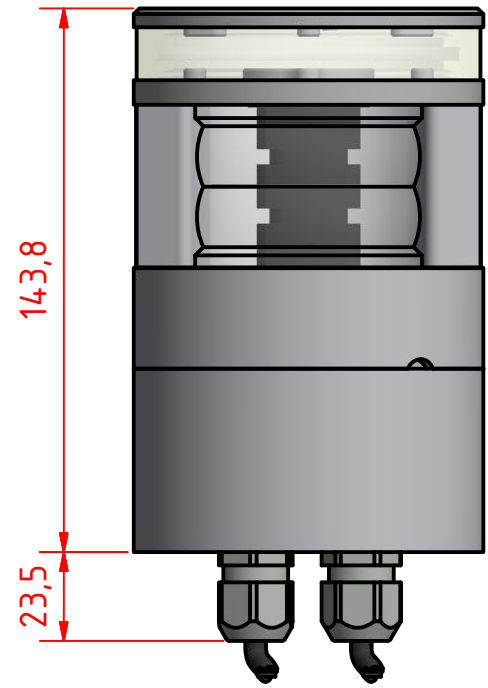
Approvals: COLREG72 / EN14744 / IEC 60945 / USCG / UL1104

Dimensions: **See drawing**

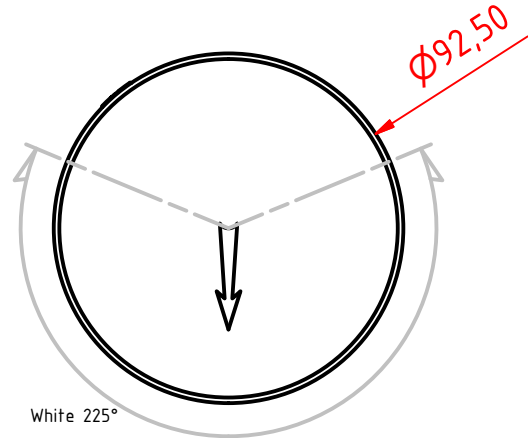
Weight: 1,63kg

Included in the package:

- 1 Stacked navigation light on a cable down base (400-035)
- 3 Cable glands
- 1 Blinding cap
- 2 Connector plugs
- Installation instructions

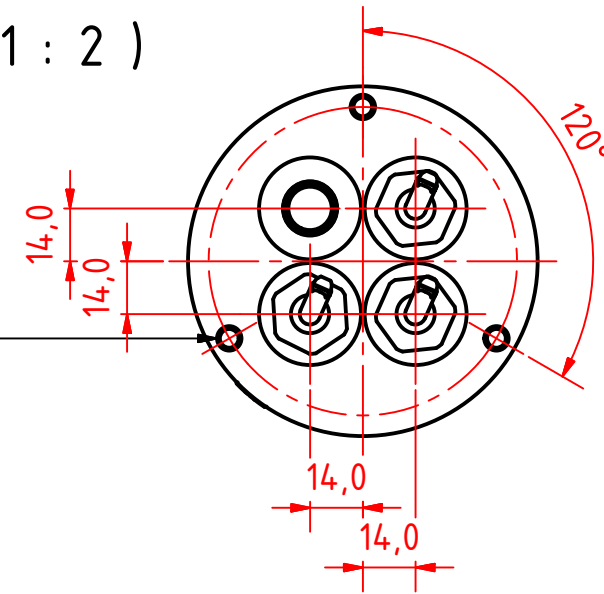


A ↑



A ( 1 : 2 )

Mounting Hole  
M6x1 - 8,0mm DEEP



300-038, Masthead Light Double, Single  
200-012 Anchor Light, 400-035 Promount,  
Cable Down.

DRAWING NO.:	REV. NO.:	SIZE:	DRAWN BY:
300-038AB	0	A3	Friisen
SCALE:	TOLERANCES:	REVIEWED BY:	CREATION DATE:
1:2	DS/ISO 2768-f		25-Sep-2014

MATERIAL DESCRIPTION:  
Alu EN 6082, Acrylic. (20µ) Silver anodized according to EN ISO 7599  
(50µ) Black anodized according to MIL-A 8625F

This Drawing, and the information within, is the property of Lopolight ApS and may not be used in any form without express permission there from. Lopolight reserves the right to change this drawing and assumes no liability for the information communicated herein. Use of dimensions and other information in this drawing is at the users own risk.

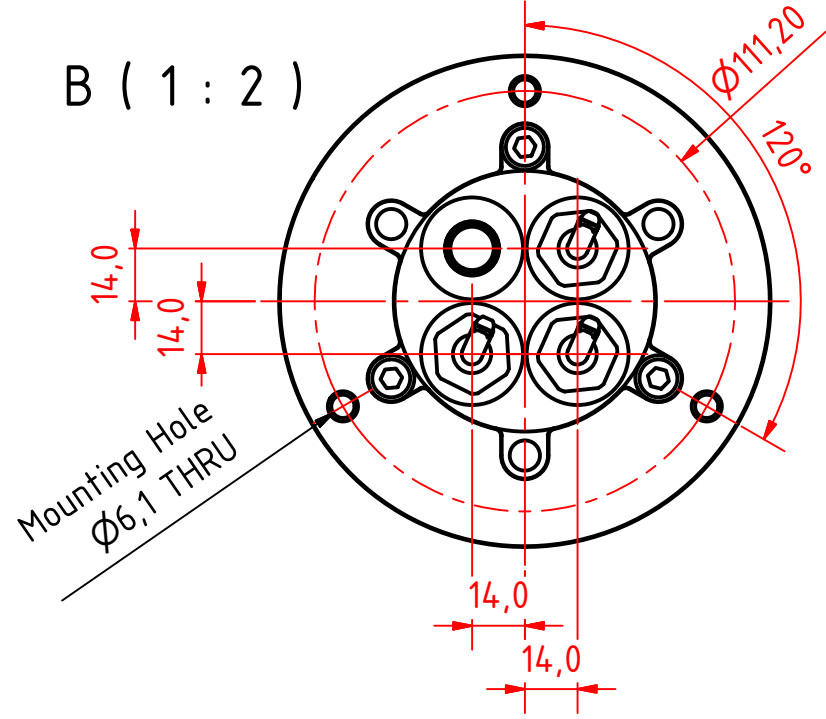
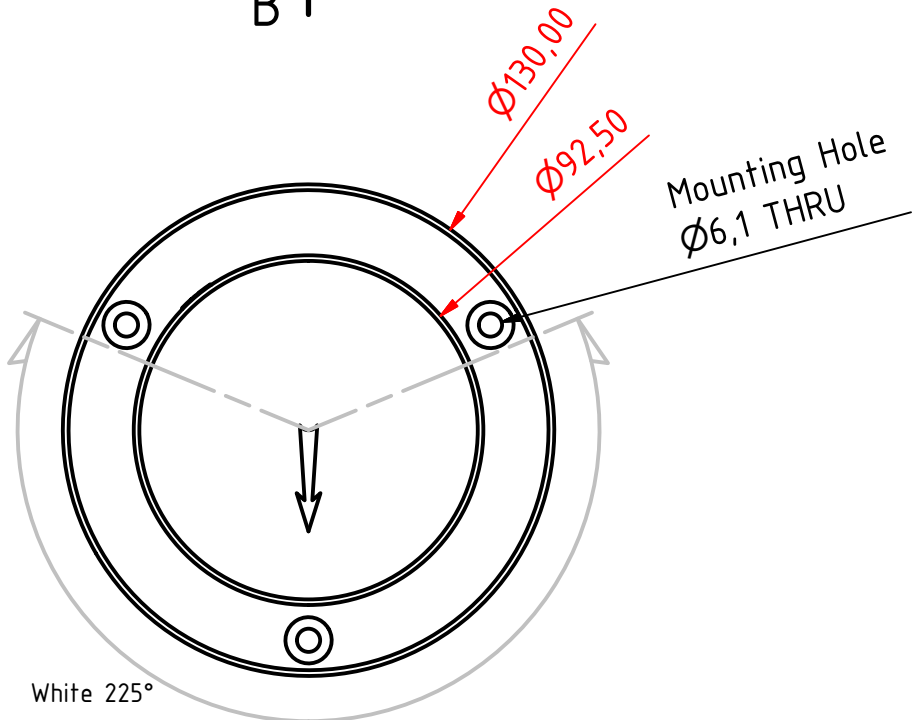
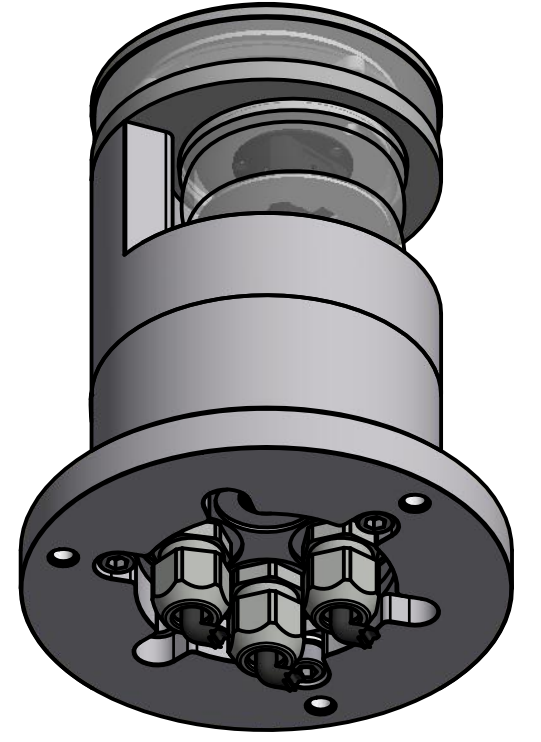
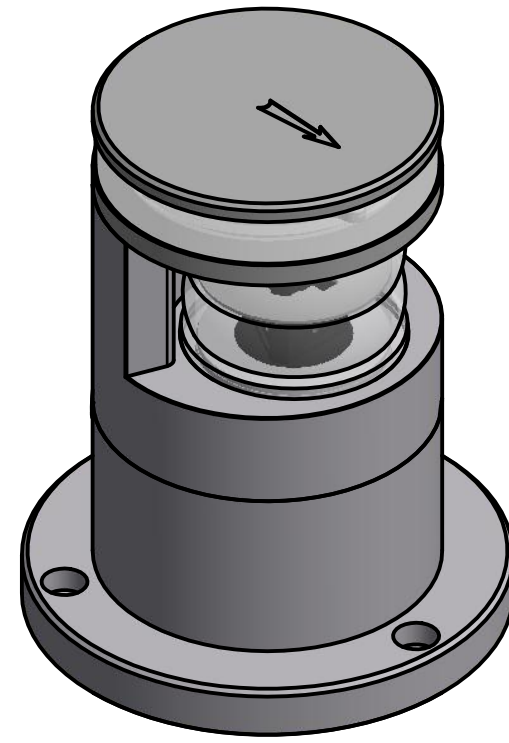
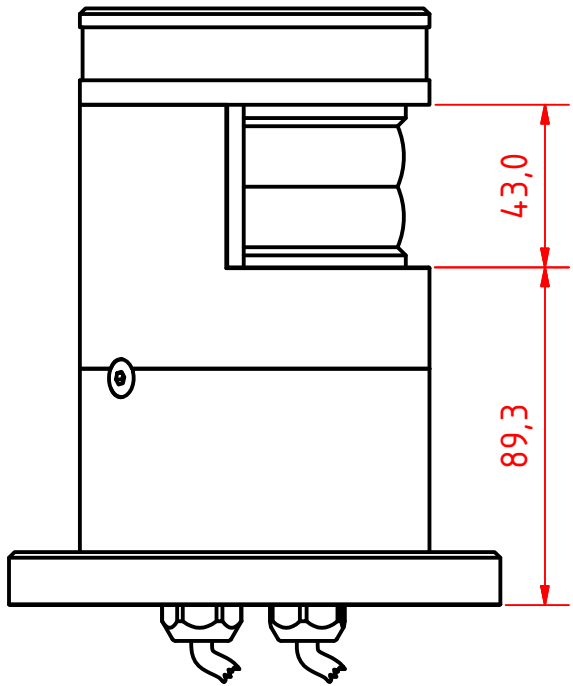
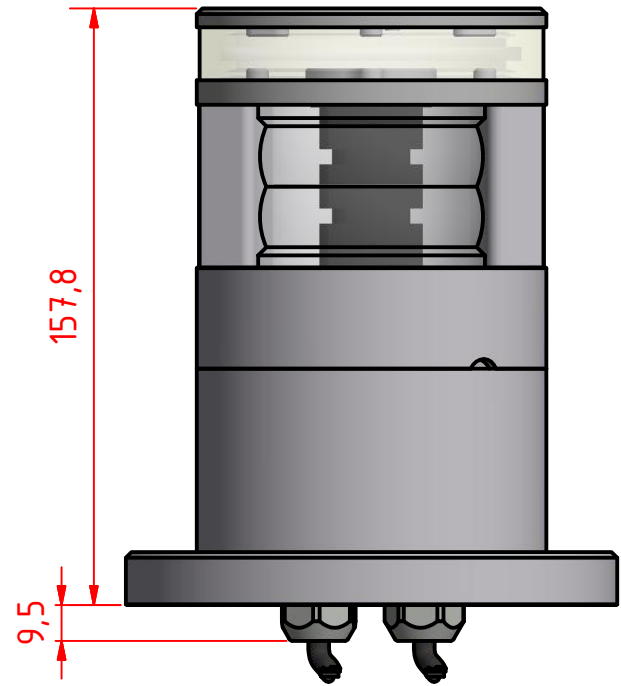


Lopolight ApS  
Ved Klaedebo 12  
DK-2970, Hoersholm  
Denmark

www.lopolight.com

Tel:(+45) 32 48 50 30 Fax:(+45) 32 48 50 32  
info@lopolight.com





**300-038, Masthead Light Double, Single**  
**200-012 Anchor Light, 400-035 Promount,**  
**400-401 Alu Base Plate, Cable Down.**

DRAWING NO.: <b>300-038BB</b>	REV. NO.: <b>0</b>	SIZE: <b>A3</b>	DRAWN BY: <b>Friisen</b>
SCALE: <b>1:2</b>	TOLERANCES: <b>DS/ISO 2768-f</b>	REVIEWED BY:	CREATION DATE: <b>25-Sep-2014</b>

**Alu EN 6082, Acrylic.** (20µ) Silver anodized according to EN ISO 7599  
 (50µ) Black anodized according to MIL-A 8625F

This Drawing, and the information within, is the property of Lopolight ApS and may not be used in any form without express permission there from. Lopolight reserves the right to change this drawing and assumes no liability for the information communicated herein. Use of dimensions and other information in this drawing is at the users own risk.



**Lopolight ApS** [www.lopolight.com](http://www.lopolight.com)  
 Ved Klaedebo 12  
 DK-2970, Hoersholm  
 Denmark

Tel:(+45) 32 48 50 30 Fax:(+45) 32 48 50 32  
 info@lopolight.com

