

**300-138+112-CD  
6 NAUTICAL MILES 225° DOUBLE MASTHEAD LIGHT &  
3 NAUTICAL MILES 360° WHITE LIGHT  
HORIZONTALLY MOUNTED**

The double LED masthead light consists of two (2) individual lights which can be activated separately. One is dedicated as the primary, the other the secondary.

The LED anchor light consists of a single array of LEDs

The precision machined 6082 aluminium housing with an anodized surface makes the light a rugged and durable housing for the LEDs and electronics contained within.

The interior is completely filled with a special potting resin making it water- and vibration proof.

Produced in our in-house manufacturing facility to meet and exceed exacting standards such as EN14744 and UL1104, under a quality management system continuously surveyed by Lloyds Register Quality Assurance.

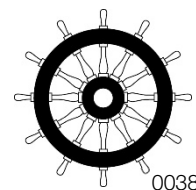
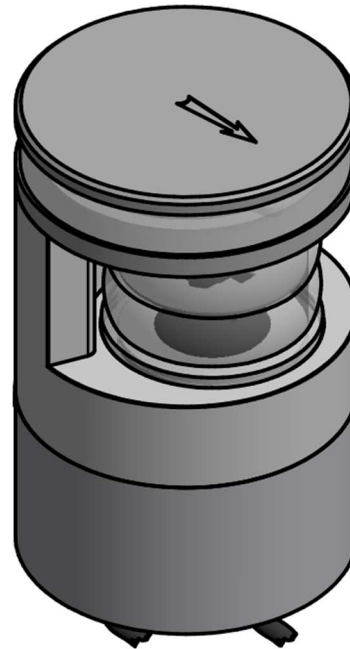
Each light is subjected to final testing for a minimum of 16 hours of continuous operation bringing the total test time beyond 24 hours.

This navigation light is in compliance with the following standards:

- COLREG72
- EN14744
- IEC 60945
- USCG (UL1104)

Together with an appropriate Control & Monitoring System, such as Lopolight's own NLC\* this navigation light can form part of an IMO MSC 253(83), LY3 and LY4 compliant system.

\*) information found here: [www.lopolight.com/NlcPanel](http://www.lopolight.com/NlcPanel)



## Technical specifications

Vessel size: >50m (>164')

Visibility;

- Masthead: >6 nautical miles
- 360° White light: >3 nautical miles

Intensity;

- Masthead: >94 cd
- 360° White light: >15cd

Power consumption;

- Masthead: 14,4 Watt; Current: 0,6A @ 24 VDC
- 360° White light: 2,4 Watt; Current: 0,2A @ 12 VDC – 0,1A @ 24 VDC

Operating voltage:

- Masthead: 22 - 32 VDC
- 360° White light: 10 – 32 VDC

Number of LEDs;

- Masthead: 6 per light, 12 in total
- 360° White light: 28

Light colour: **White**

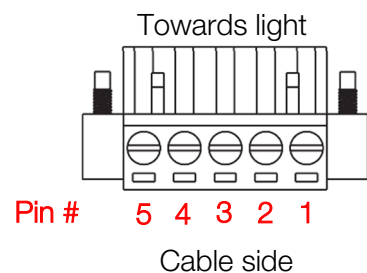
Operating temperature: -25°C to +55°C

IP Rating: **IP68**

Mounting: **Horizontal**, see K-Lock sheet for options

Cabling: 3 cables consisting of 2 x 0,5 mm<sup>2</sup> leads, a screen and insulation.

- Pin 1 - Red lead = Primary light power
- Pin 2 - Black lead = Primary light GND
- Pin 3 – No lead = Not used
- Pin 4 – Red lead = Secondary light power
- Pin 5 – Black lead = Secondary light GND



Certification: The product is certified by Lloyds (LR) and certificates can be found on [www.lopolight.com](http://www.lopolight.com) under certificates.

The product is in compliance with the following standards:

COLREG72/ EN14744 / IEC 60945 / USCG/ UL1104

Dimensions: **See drawing**

Weight: **1,42kg**

### Warranty:

Lopolight products are covered by a 5-year limited warranty.

Warranty conditions can be found on [www.lopolight.com/Home/Service](http://www.lopolight.com/Home/Service)

Included in the standard package:

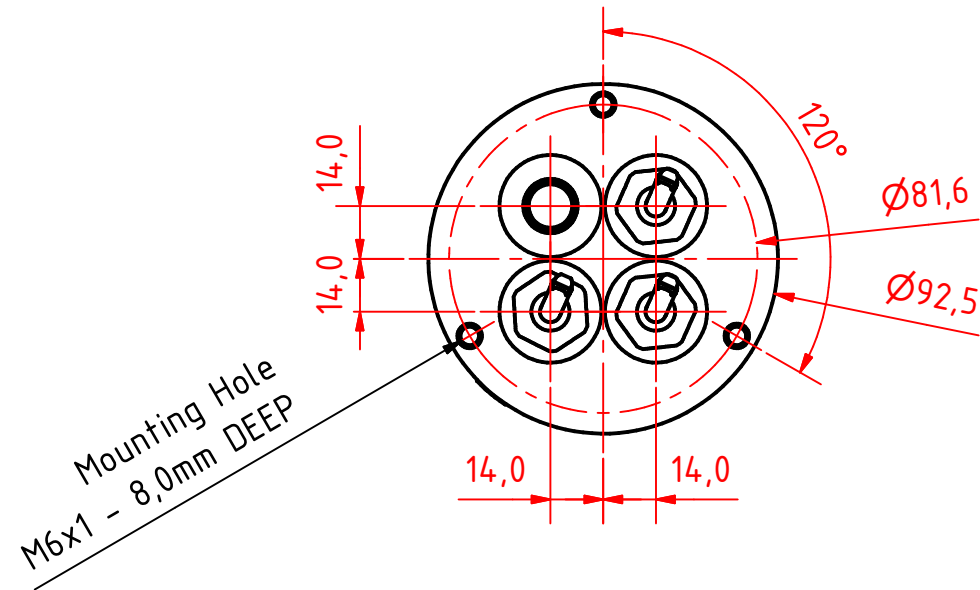
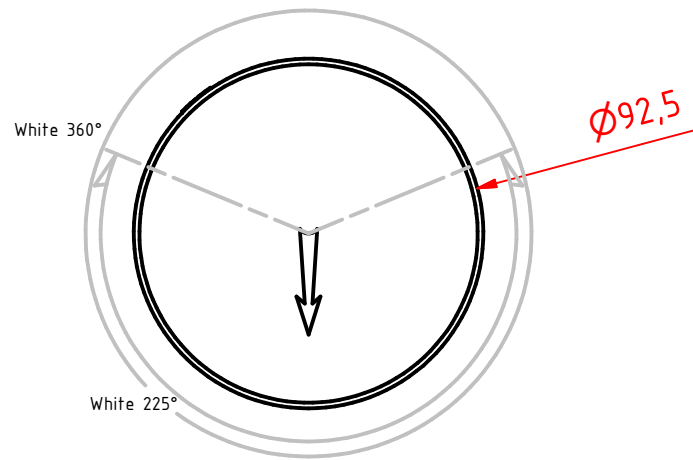
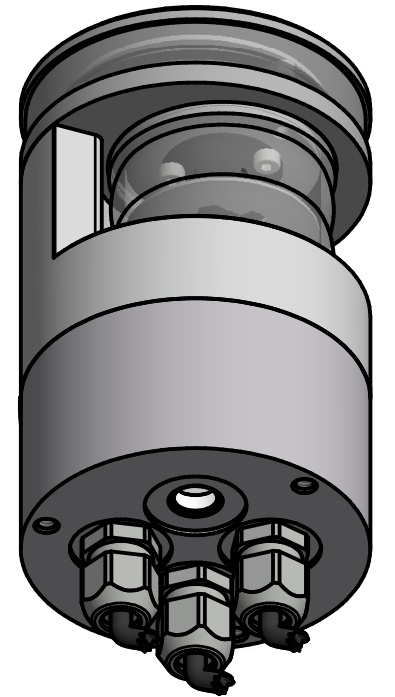
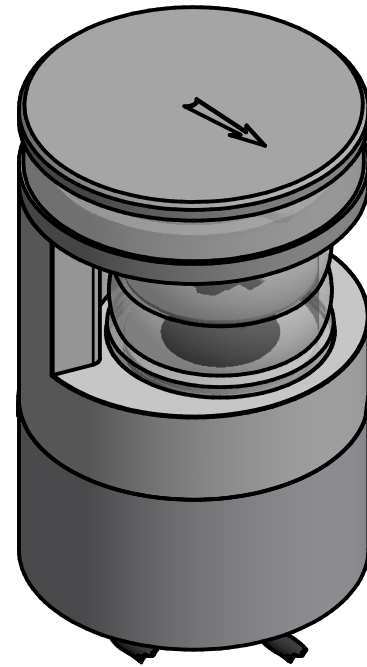
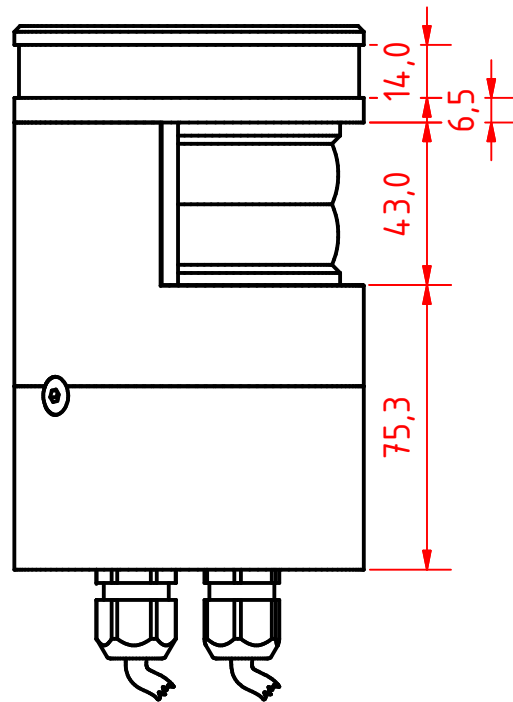
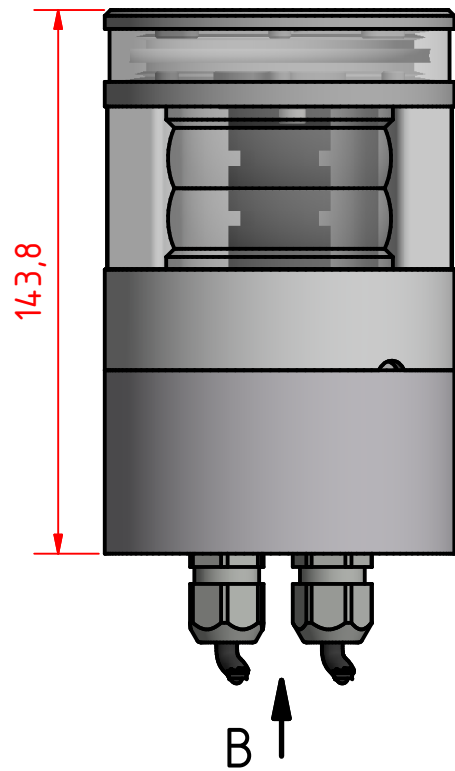
- 1 pc. Navigation light on 400-035 aluminium base
- 1 pc. HDPE base plate
- 3 pcs. M20x1.5 cable gland (cable diameters 7 – 13mm)
- 1 pc. M20x1.5 blinding cap
- 2 pcs. 5-pin connector plug
- Installation instructions

## Ordering information

BASE OPTION	PART NUMBER SILVER FINISH	PART NUMBER BLACK FINISH
400-035 (drawing AD - BD) CD base	300-138+300-112-CD	300-138+300-112-B-CD

## Cabling options

Cable length	Part number
2m / 6.6' 2-lead cable with connector	400-300-2M
4m / 13.1' 2-lead cable with connector	400-300-4M
6m / 19.7' 2-lead cable with connector	400-300-6M
10m / 32.8' 2-lead cable with connector	400-300-10M
12m / 39.4' 2-lead cable with connector	400-300-12M
15m / 49.1' 2-lead cable with connector	400-300-15M
20m / 65.6' 2-lead cable with connector	400-300-20M



Rev1 07/02/2018 Update the number of cables and delete the extra sheets.

**300-138 + 300-112 Single, 225° Masthead double w/ Single Anchor, Promount 400-035. Cable Down**

DRAWING NO.: <b>300-138AD</b>	REV. NO.: <b>1</b>	SIZE: <b>A3</b>	DRAWN BY: <b>Sergio</b>
SCALE: <b>1:2</b>	TOLERANCES: <b>DS/ISO 2768-f</b>	REVIEWED BY:	CREATION DATE: <b>28-11-2014</b>

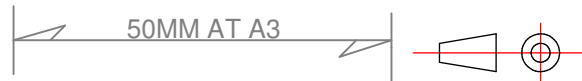
MATERIAL DESCRIPTION:  
**Alu EN 6082, Acrylic.** (20µ) Silver anodized according to EN ISO 7599 (50µ) Black anodized according to MIL-A 8625F

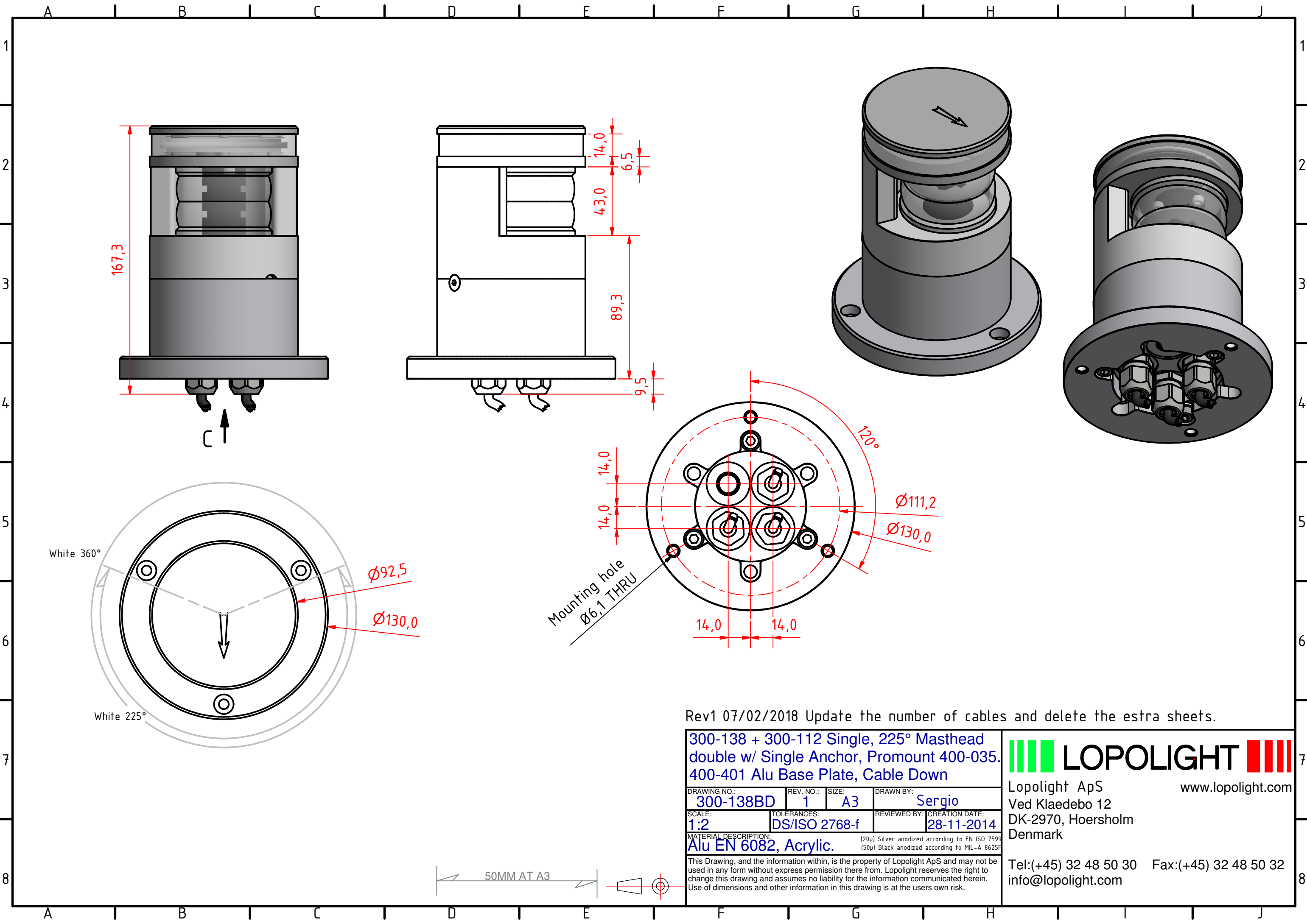
This Drawing, and the information within, is the property of Lopolight ApS and may not be used in any form without express permission there from. Lopolight reserves the right to change this drawing and assumes no liability for the information communicated herein. Use of dimensions and other information in this drawing is at the users own risk.



Lopolight ApS  
Ved Klaedebo 12  
DK-2970, Hoersholm  
Denmark

Tel:(+45) 32 48 50 30 Fax:(+45) 32 48 50 32  
info@lopolight.com





White 360°

White 225°

Ø92,5

Ø130,0

14,0

14,0

120°

Ø111,2

Ø130,0

Mounting hole  
Ø6,1 THRU

14,0

14,0

Rev1 07/02/2018 Update the number of cables and delete the extra sheets.

**300-138 + 300-112 Single, 225° Masthead double w/ Single Anchor, Promount 400-035. 400-401 Alu Base Plate, Cable Down**

DRAWING NO.:	REV. NO.:	SIZE:	DRAWN BY:
300-138BD	1	A3	Sergio
SCALE:	TOLERANCES:	REVIEWED BY:	CREATION DATE:
1:2	DS/ISO 2768-f		28-11-2014
MATERIAL DESCRIPTION:			
Alu EN 6082, Acrylic. (20µ) Silver anodized according to EN ISO 7599 (50µ) Black anodized according to MIL-A 8625F			

**LOPOLIGHT**

Lopolight ApS [www.lopolight.com](http://www.lopolight.com)

Ved Klaedebo 12  
DK-2970, Hoersholm  
Denmark

Tel:(+45) 32 48 50 30 Fax:(+45) 32 48 50 32  
info@lopolight.com

50MM AT A3

This Drawing, and the information within, is the property of Lopolight ApS and may not be used in any form without express permission there from. Lopolight reserves the right to change this drawing and assumes no liability for the information communicated herein. Use of dimensions and other information in this drawing is at the users own risk.