

### 300-139 – 6NM 225° DOUBLE MASTHEAD LIGHT

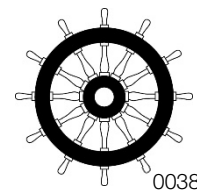
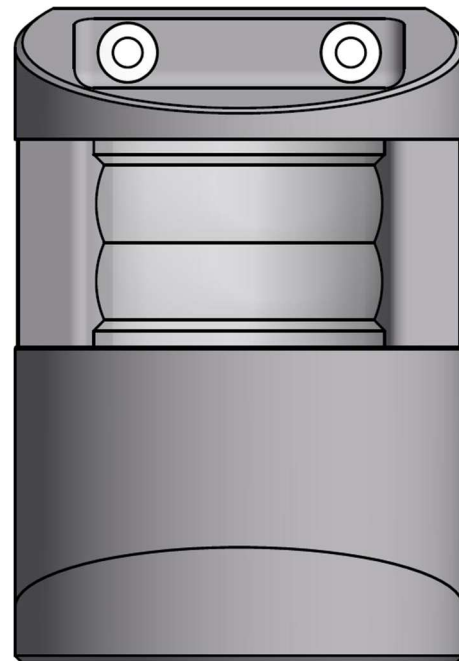
The double LED light consists of two (2) individual lights which can be activated separately. One is dedicated as the primary, the other the secondary.

The precision machined 6082 aluminium housing with an anodized surface makes the light a rugged and durable housing for the LEDs and electronics contained within.

The interior is completely filled with a special potting resin making it water- and vibration proof. Each light is subjected to final testing for no less than 16 hours of continuous operation bringing the total test period beyond 24 hours.

Lopolight products are covered by a 5-year limited warranty. This warranty covers direct exchange of the malfunctioning product and is given under the assumption that the lights have been operated within the specifications of lights.

Warranty conditions can be found on [www.lopolight.com/Home/Service](http://www.lopolight.com/Home/Service)



Technical specifications

Vessel size: >50m (>164')

Visibility: >6 nautical miles

Intensity: >94 cd

Mounting: **Vertical**

Operating voltage: 10 - 32 V DC

Number of LEDs: 6 per light, 12 in total

Light colour: **White**

Operating temperature: -25°C to +55°C

IP Rating: **IP68**

Power consumption; 13 Watt; Current @ 24 VDC: 0,6A

Connection: 2 cables consisting of 2 x 0,5 mm<sup>2</sup> leads, a screen and insulation.

- **Red lead = Power**
- **Black lead = GND**

Certification: The product is certified by Lloyds (LR) and certificates can be found on [www.lopolight.com](http://www.lopolight.com) under certificates.

Approvals: COLREG72 / EN14744 / IEC 60945 / USCG / UL1104

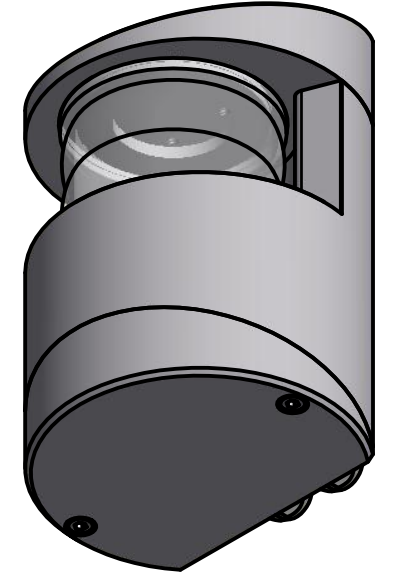
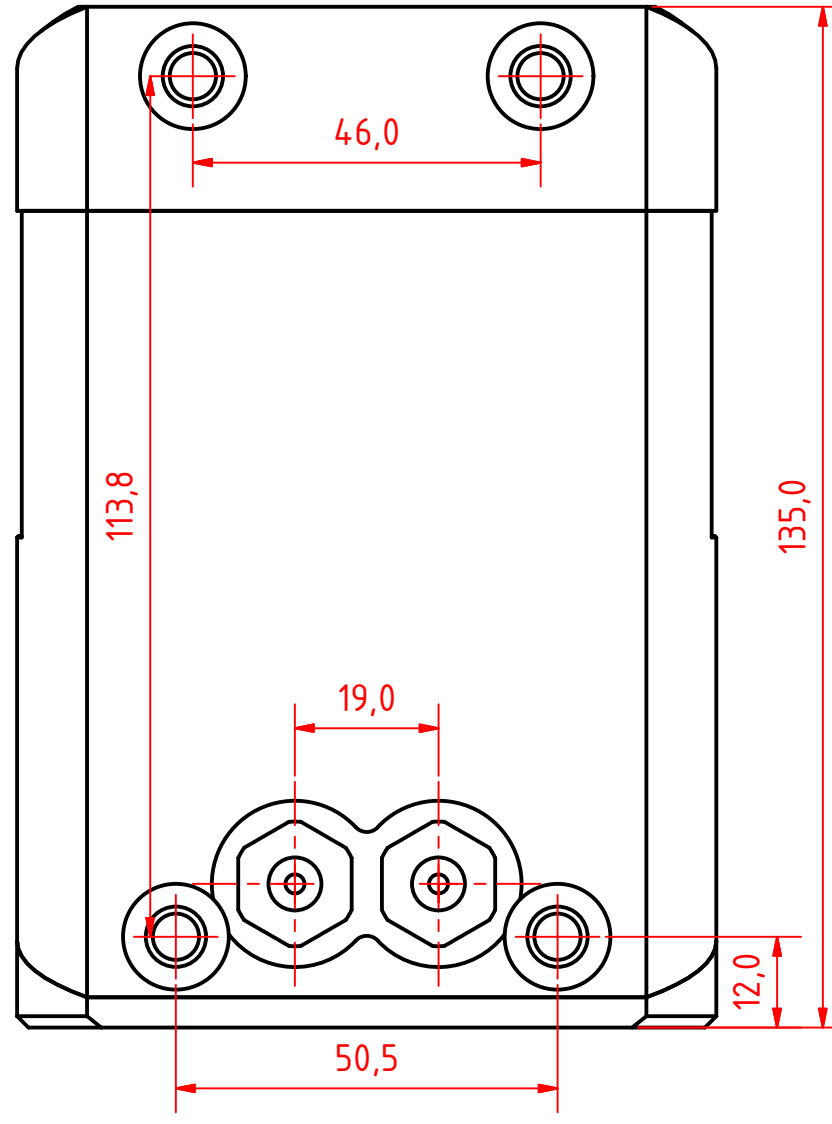
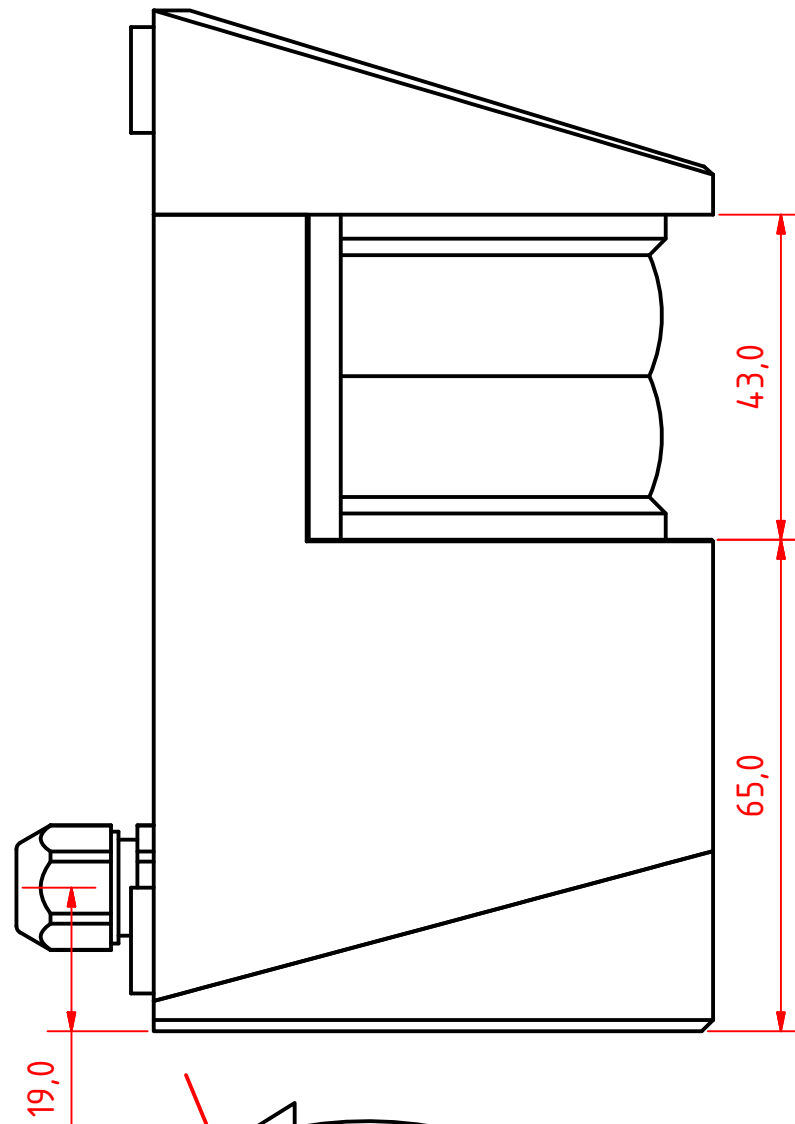
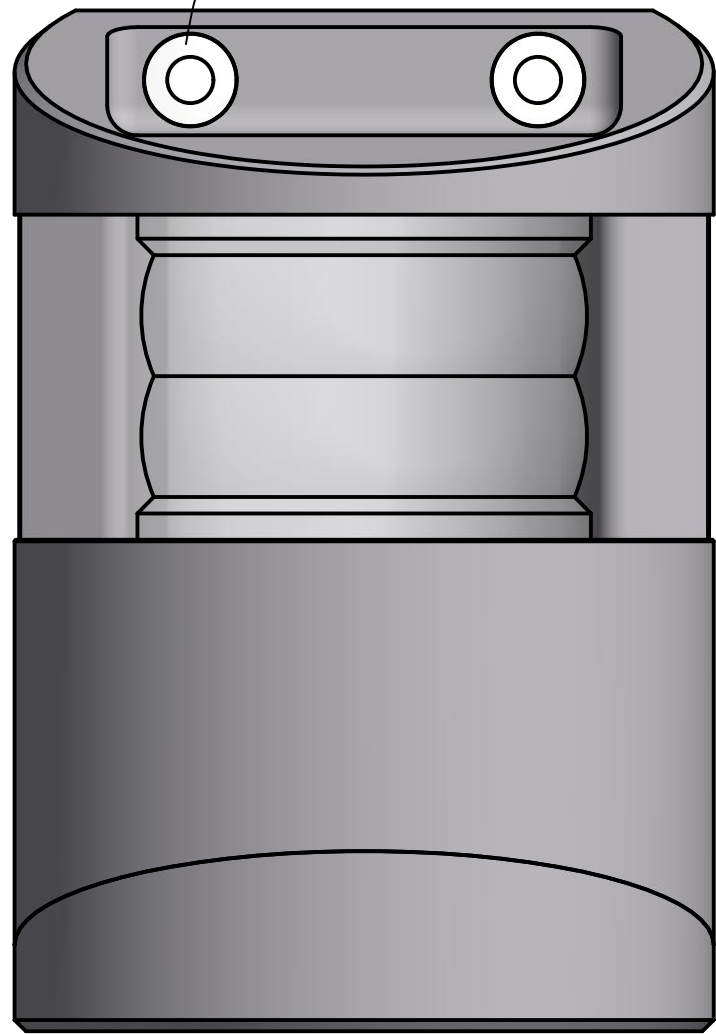
Dimensions: **See drawing**

Weight: **1,4kg**

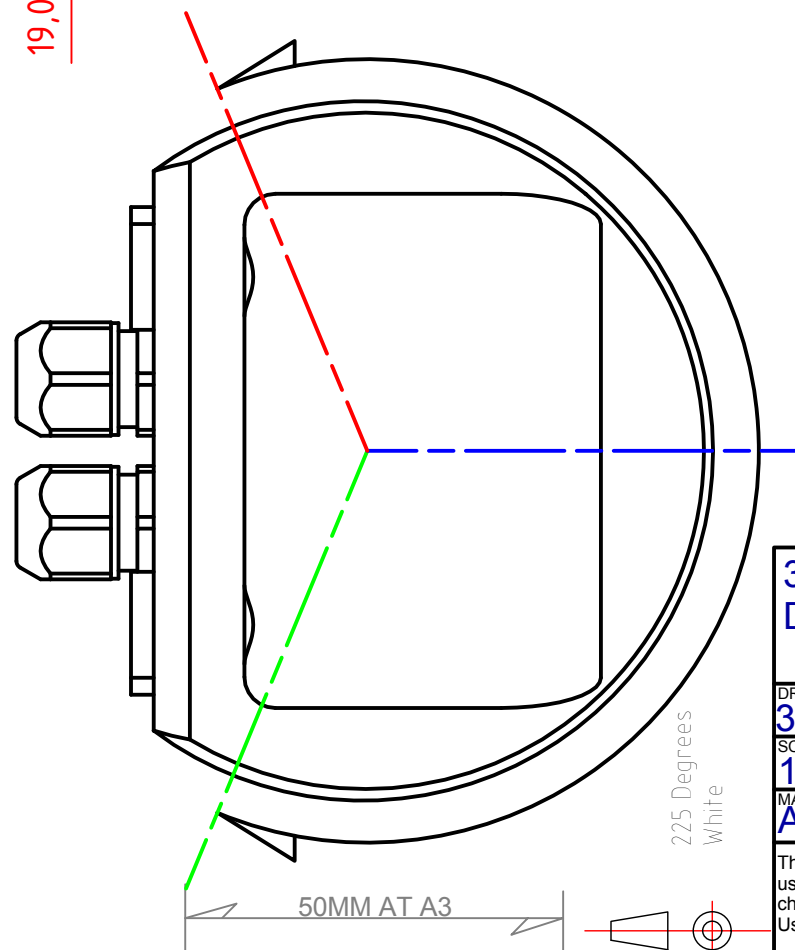
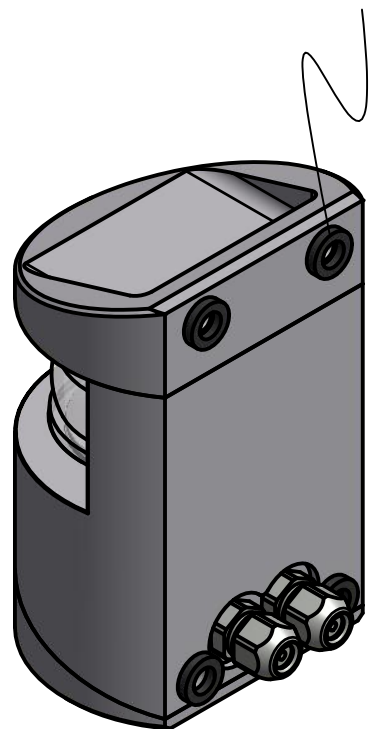
Included in the package:

- 1 Double navigation light, pre-cabled with 0.7m marine grade cables
- 4 M6x8 mounting screws
- Installation instructions

Nylon Insulators for 4 pcs. 6mm DIN 912 mounting Screws



Rubber insulator rings keep the light isolated from the superstructure.



- Surfaced with 25µ Silver og 50µ Black coloured anodizing.

<b>300-139 6nm Masthead, Vertical Mount, Double w Cable Aft</b>			
DRAWING NO.: <b>300-139 AA</b>	REV. NO.: <b>0</b>	SIZE: <b>A3</b>	DRAWN BY: <b>Paul</b>
SCALE: <b>1:1</b>	TOLERANCES: <b>DS/ISO 2768-f</b>	REVIEWED BY: <b>PHH</b>	
MATERIAL DESCRIPTION: <b>Aluminium &amp; Acrylic</b>			
<small>This Drawing, and the information within, is the property of Lopolight ApS and may not be used in any form without express permission there from. Lopolight reserves the right to change this drawing and assumes no liability for the information communicated herein. Use of dimensions and other information in this drawing is at the users own risk.</small>			

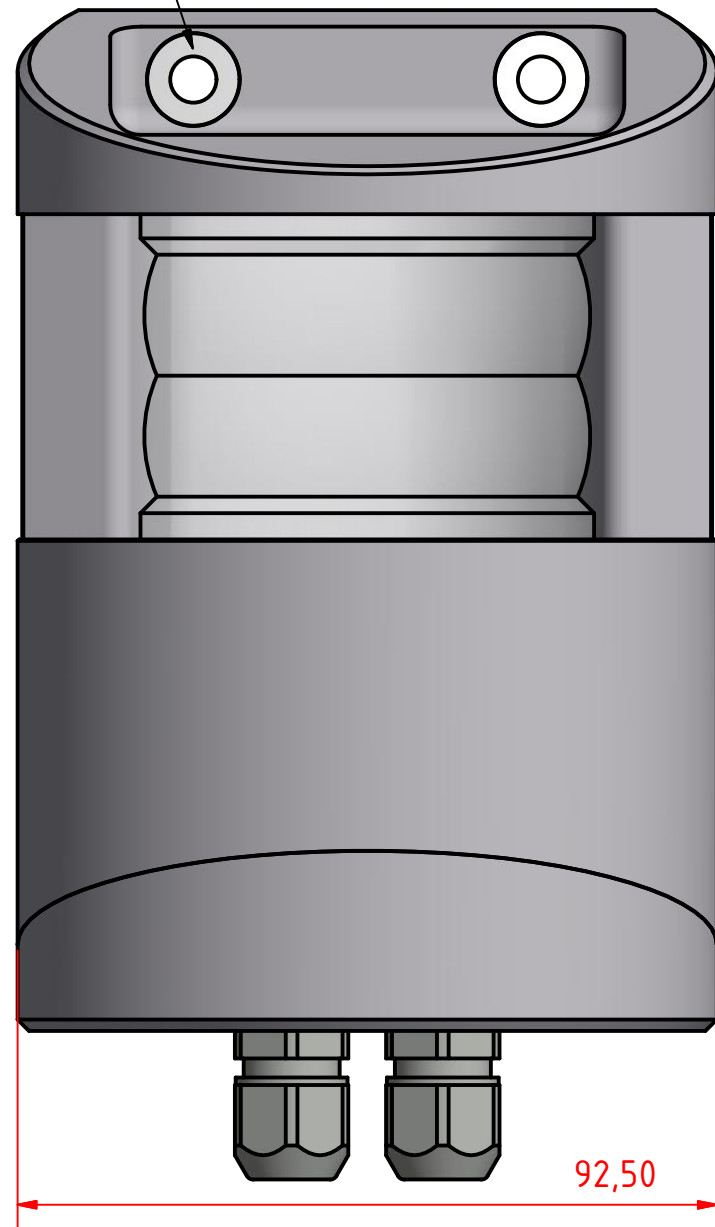
**LOPOLIGHT**

Lopolight ApS  
Ved Klaedebo 12  
DK-2970, Hoersholm  
Denmark

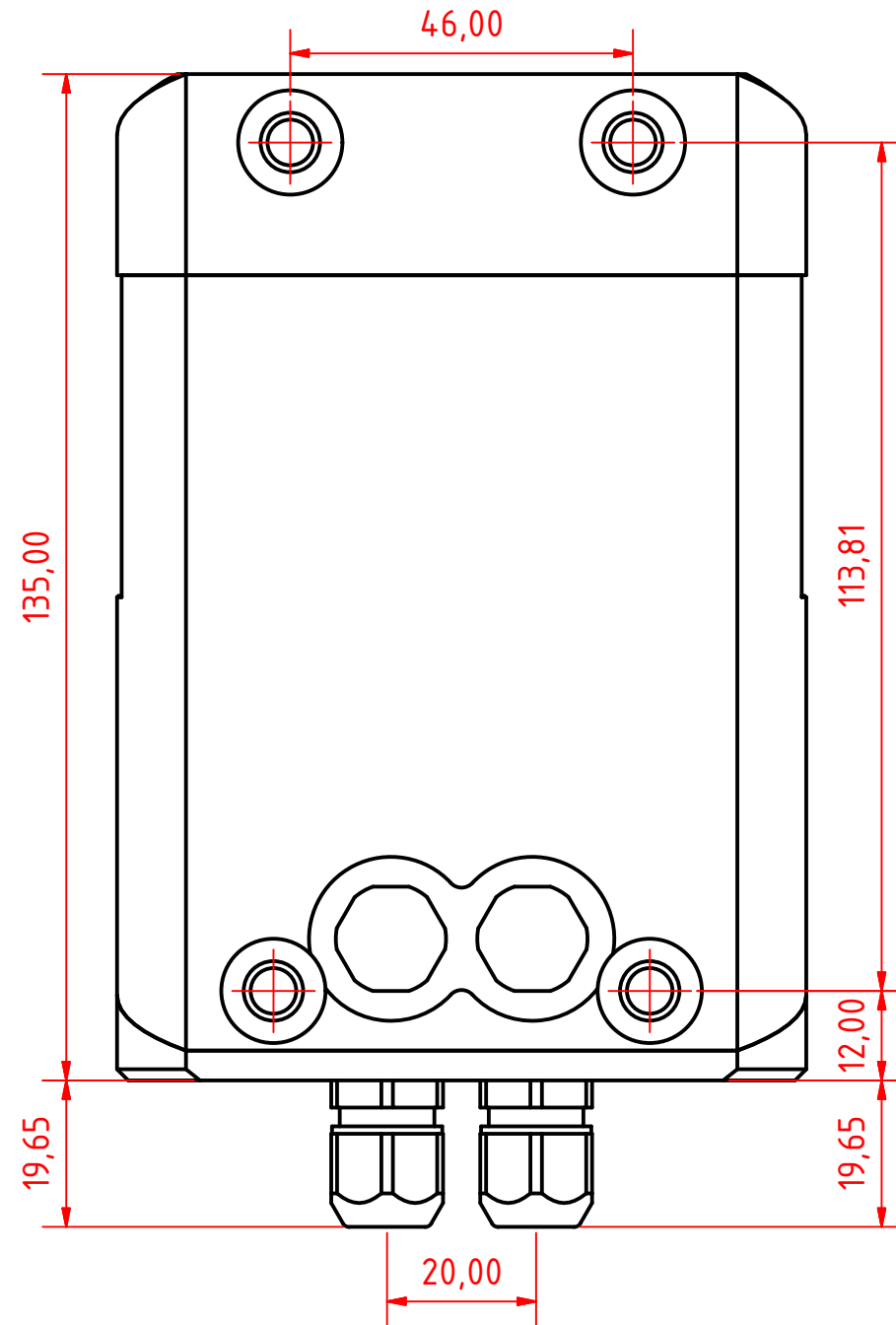
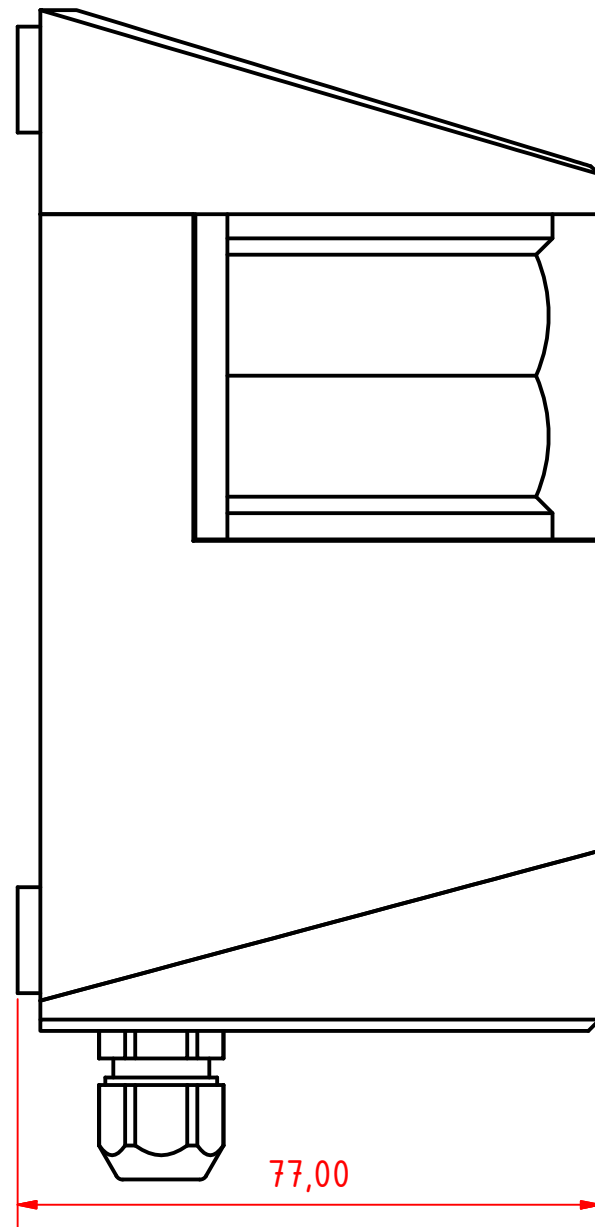
www.lopolight.com

Tel:(+45) 32 48 50 30 Fax:(+45) 32 48 50 32  
info@lopolight.com

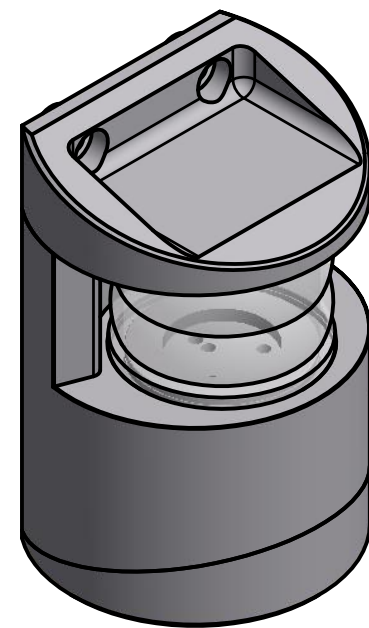
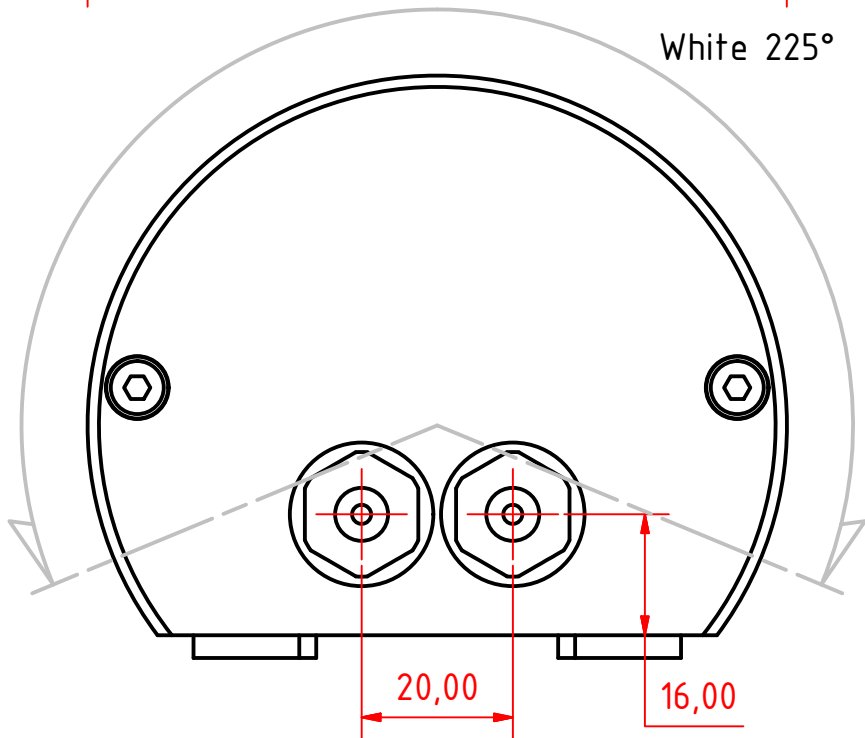
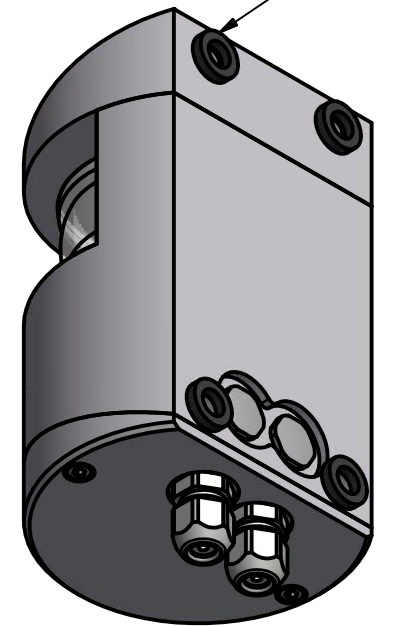
Nylon Insulators for 4 pcs. 6mm DIN 912 mounting Screws



White 225°



Rubber insulator rings keep the light isolated from the superstructure.



50MM AT A3

- Surfaced with 25µ Silver og 50µ Black coloured anodizing.

**300-139 6nm Masthead, Vertical Mount, Double w Cable Down.**

DRAWING NO.: **300-139 BA** REV. NO.: SIZE: **A3** DRAWN BY: **Paul**

SCALE: **1:1** TOLERANCES: **DS/ISO 2768-f** REVIEWED BY:

MATERIAL DESCRIPTION: **Aluminium, Acrylic.**

This Drawing, and the information within, is the property of Lopolight ApS and may not be used in any form without express permission there from. Lopolight reserves the right to change this drawing and assumes no liability for the information communicated herein. Use of dimensions and other information in this drawing is at the users own risk.



Lopolight ApS  
Ved Klaedebo 12  
DK-2970, Hoersholm  
Denmark

[www.lopolight.com](http://www.lopolight.com)

Tel: (+45) 32 48 50 30 Fax: (+45) 32 48 50 32  
info@lopolight.com