

DOUBLE MASTHEAD LIGHT & 360° WHITE DOUBLE LIGHT

5 nautical miles + 2 nautical miles 300-038+012ST (20m – 50m / 65.6' – 164')
 6 nautical miles + 3 nautical miles 300-138+112ST (>50m / >164')

The LED masthead light consists of two (2) individual lights, each with which a cluster of LEDs that produces light in the specified angle that can be activated separately. One is dedicated as the primary, the other the secondary.

The 360° white LED light consists of two (2) individual lights, each with an array of LEDs that produces light in the specified angle that can be activated separately. One is dedicated as the primary, the other the secondary.

The precision machined 6082 aluminium housing with an anodized surface makes the light a rugged and durable housing for the LEDs and electronics contained within.

The interior is completely filled with a special potting resin making it water- and vibration proof.

Produced in our in-house manufacturing facility to meet and exceed exacting standards such as EN14744 and UL1104, under a quality management system continuously surveyed by Lloyds Register Quality Assurance.

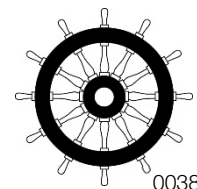
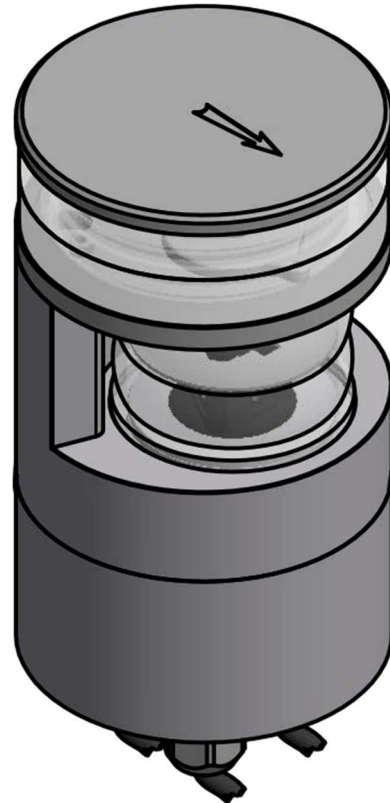
Each light is subjected to final testing for a minimum of 16 hours of continuous operation bringing the total test time beyond 24 hours.

This navigation light is in compliance with the following standards:

- COLREG72
- EN14744
- IEC 60945
- USCG (UL1104)

Together with an appropriate Control & Monitoring System, such as Lopolight's own NLC* this navigation light can form part of an IMO MSC 253(83), LY3 and LY4 compliant system.

*) information found here: www.lopolight.com/NlcPanel



Technical specifications**300-038+012ST;**

Vessel size: **20m - 50m (65' - 164')**

Visibility:

Masthead: **>5 nautical miles**

360° white light: **>2 nautical miles**

Intensity:

Masthead: **>52 cd**

360° white light: **>5,4 cd**

Power consumption;

Masthead: **7 Watt; Current: 0,3A @ 24 VDC**

360° white light: **2,6 Watt; Current: 0,22A @ 12 VDC – 0,11A @ 24 VDC**

300-138+112ST;

Vessel size: **> 50m (>164')**

Visibility:

Masthead: **>6 nautical miles**

Anchor light: **>3 nautical miles**

Intensity:

Masthead: **>94 cd**

Anchor light: **>15 cd**

Power consumption;

Masthead: **13 Watt; Current @ 24 VDC: 0,6A**

360° white light: **4,5 Watt; Current: 0,38A @ 12 VDC – 0,17A @ 24 VDC**

Operating voltage:

Masthead: **22 - 32 VDC**

Anchor light: **10 – 32 VDC**

Number of LEDs:

Masthead: **3 / 3**

Anchor light: **28 / 28**

Light colour: **White**

Operating temperature: **-25°C to +55°C**

IP Rating: **IP68**

Mounting: **Horizontal**

Certification: **The product is certified by Lloyds (LR) and certificates can be found on www.lopolight.com under certificates.**

The product is in compliance with the following standards:

COLREG72 / EN14744 / IEC 60945 / USCG (UL1104)

Dimensions: **See drawing**

Weight: **1,52kg**

Warranty:

Lopolight products are covered by a 5-year limited warranty.

Warranty conditions can be found on www.lopolight.com/Service

Included in the package:

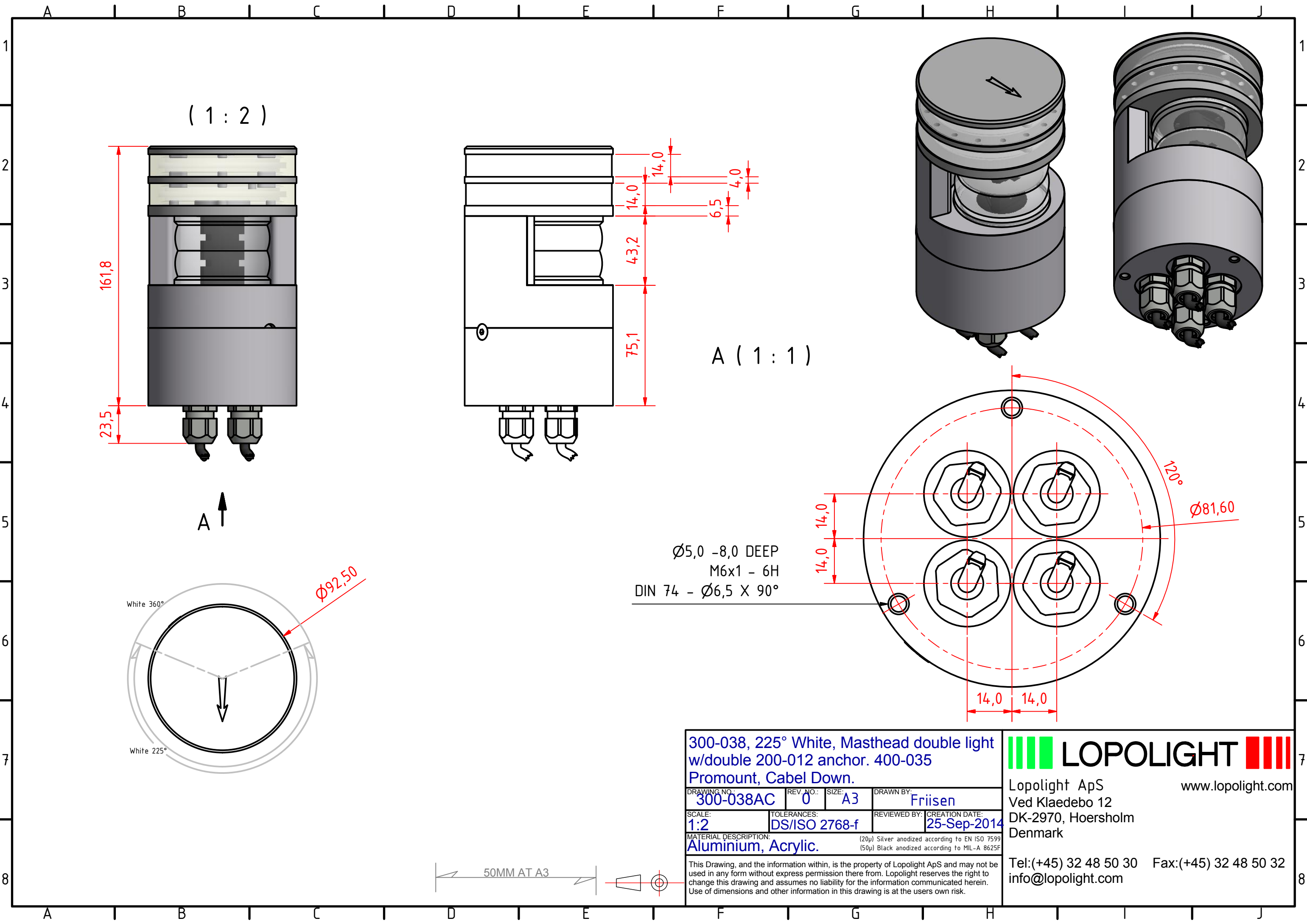
- 1 pc. Double stacked navigation light
- 1 pc. HDPE base plate
- 4 pcs. M16x1.5 cable gland (cable diameters 4,5 – 9mm)
- 2 pcs. 5-pin connector plug
- Installation instructions

Ordering information

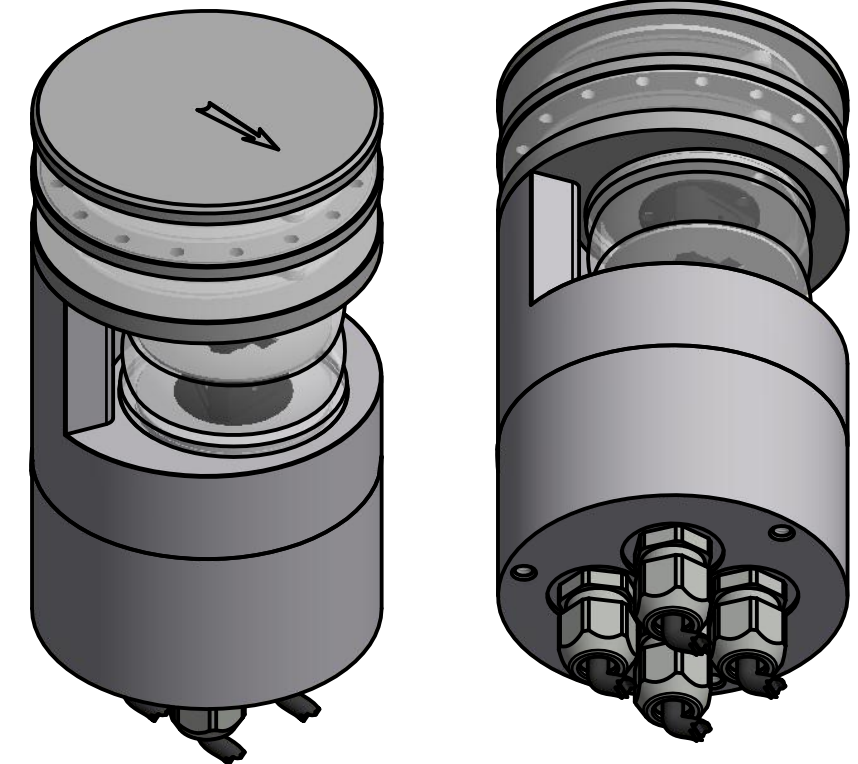
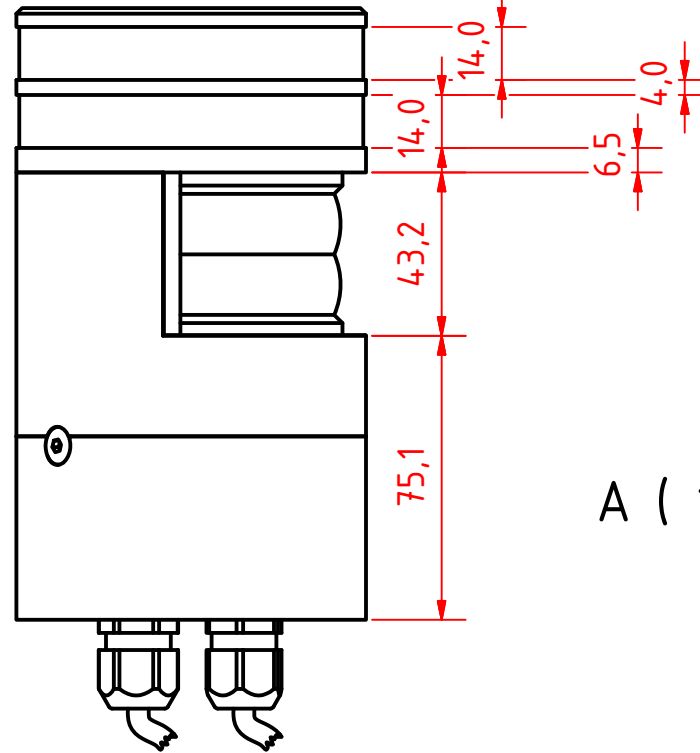
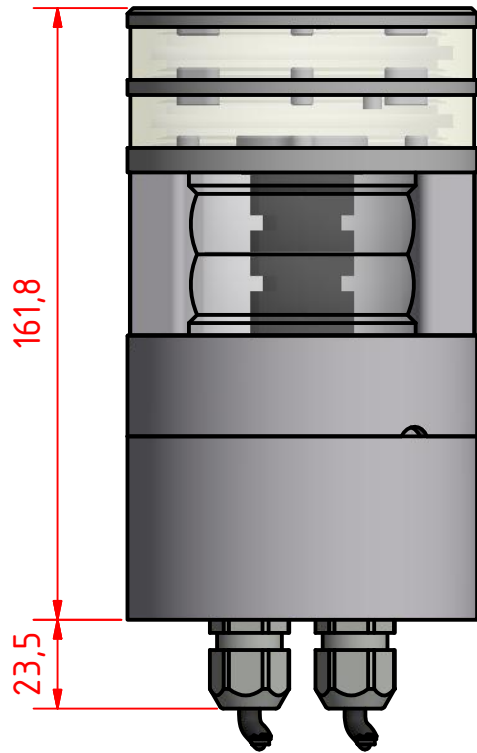
VISIBILITY	BASE OPTION	PART NUMBER SILVER FINISH	PART NUMBER BLACK FINISH
5 nautical miles	400-035 (drawing A - B) CD base	300-038+012ST-CD	300-038+012ST-B-CD
6 nautical miles	400-035 (drawing A - B) CD base	300-138+112ST-CD	300-138+112ST-B-CD

Cabling options

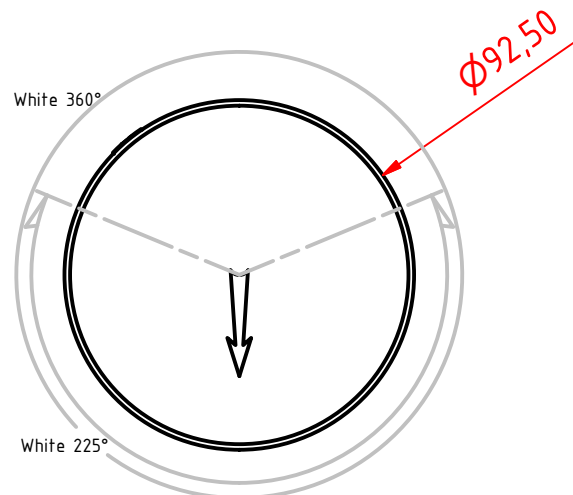
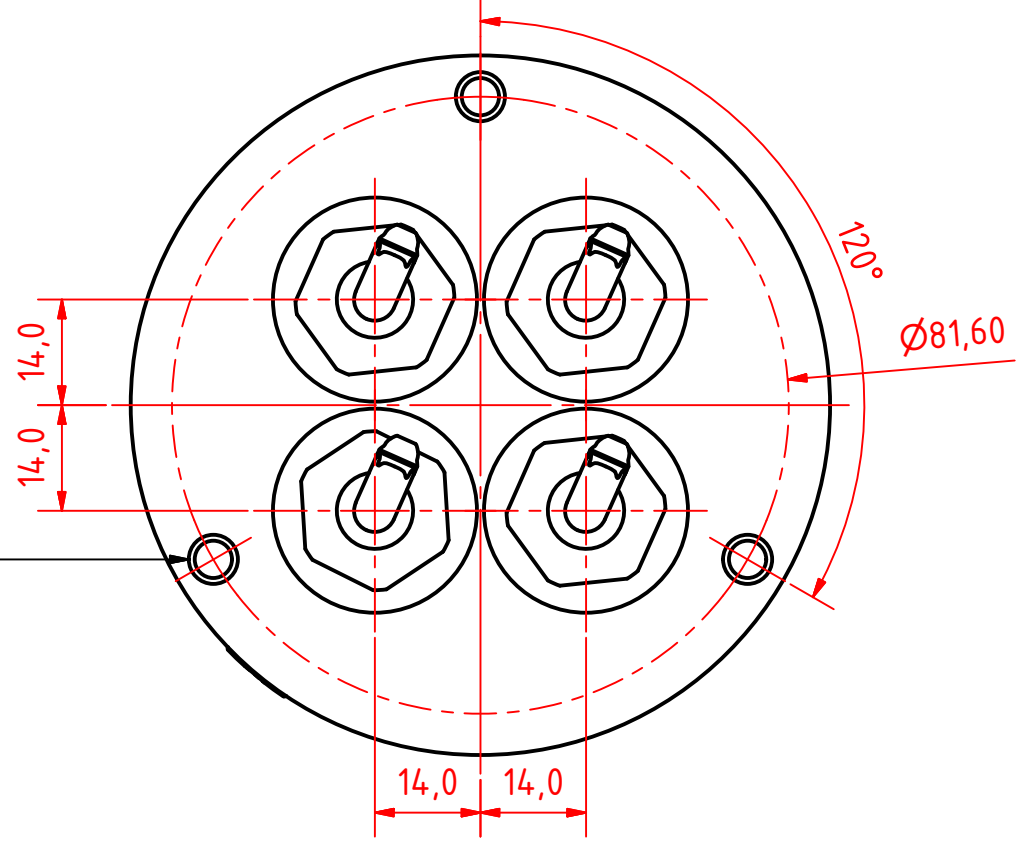
Cable length	Part number
2m / 6.6' 2-lead cable with connector	400-300-2M
4m / 13.1' 2-lead cable with connector	400-300-4M
6m / 19.7' 2-lead cable with connector	400-300-6M
10m / 32.8' 2-lead cable with connector	400-300-10M
12m / 39.4' 2-lead cable with connector	400-300-12M
15m / 49.1' 2-lead cable with connector	400-300-15M
20m / 65.6' 2-lead cable with connector	400-300-20M



(1 : 2)



A (1 : 1)



Ø5,0 - 8,0 DEEP
M6x1 - 6H
DIN 74 - Ø6,5 X 90°

300-038, 225° White, Masthead double light
w/double 200-012 anchor. 400-035
Promount, Cabel Down.

DRAWING NO.: 300-038AC	REV. NO.: 0	SIZE: A3	DRAWN BY: Friisen
SCALE: 1:2	TOLERANCES: DS/ISO 2768-f	REVIEWED BY:	CREATION DATE: 25-Sep-2014

MATERIAL DESCRIPTION:
Aluminium, Acrylic. (20µ) Silver anodized according to EN ISO 7599
(50µ) Black anodized according to MIL-A 8625F

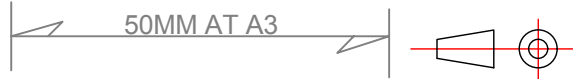
This Drawing, and the information within, is the property of Lopolight ApS and may not be used in any form without express permission there from. Lopolight reserves the right to change this drawing and assumes no liability for the information communicated herein. Use of dimensions and other information in this drawing is at the users own risk.

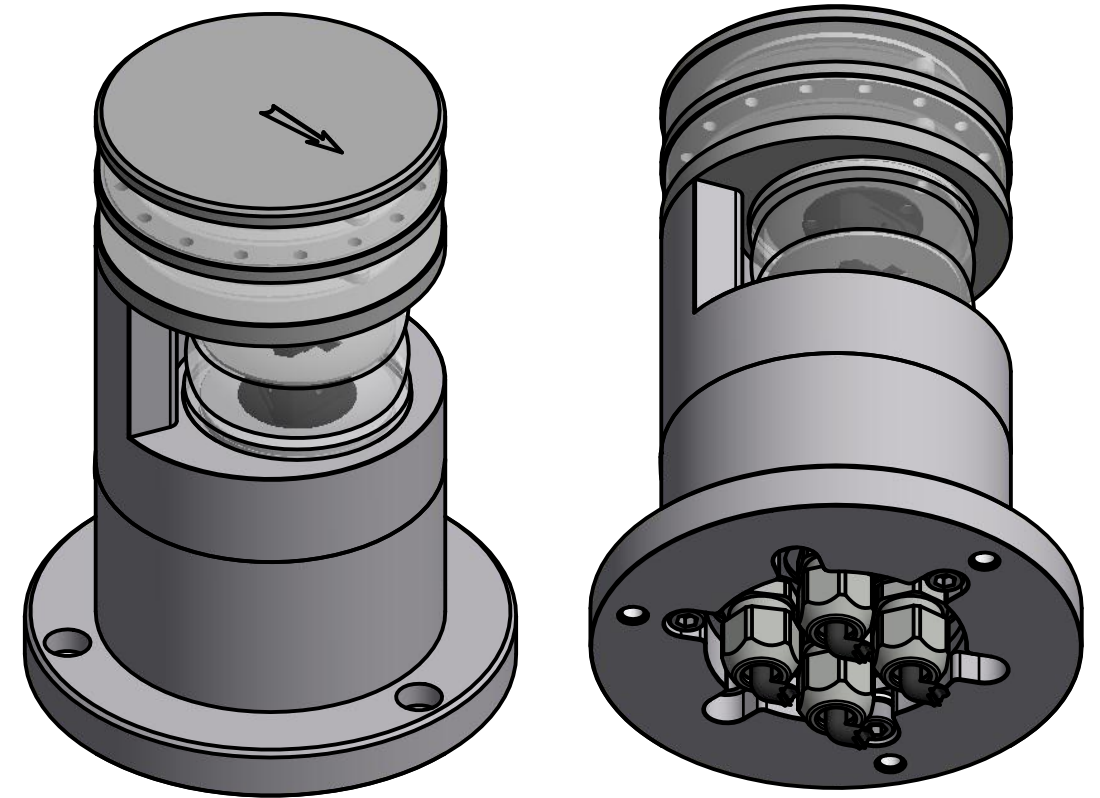
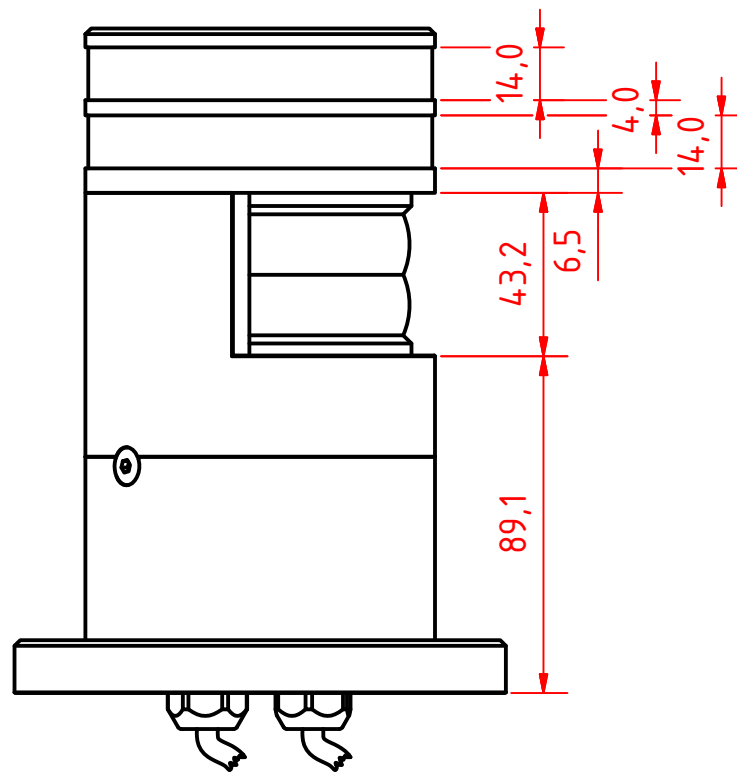
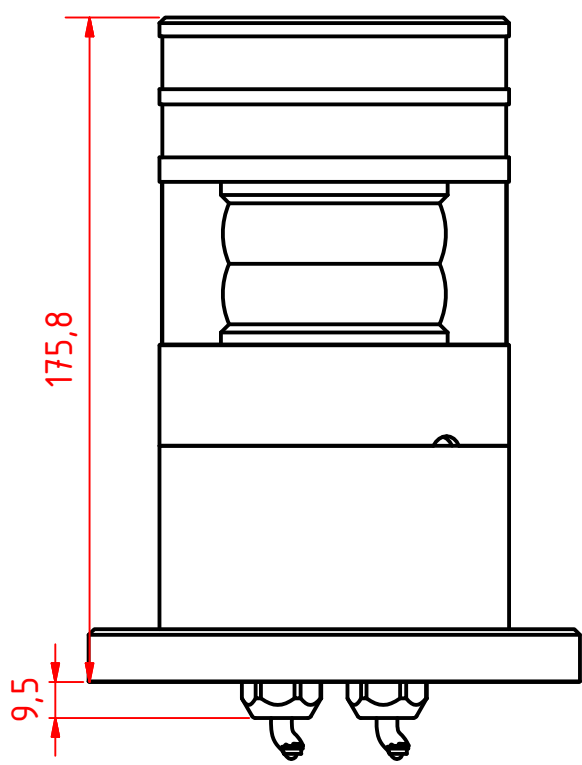


Lopolight ApS
Ved Klaedebo 12
DK-2970, Hoersholm
Denmark

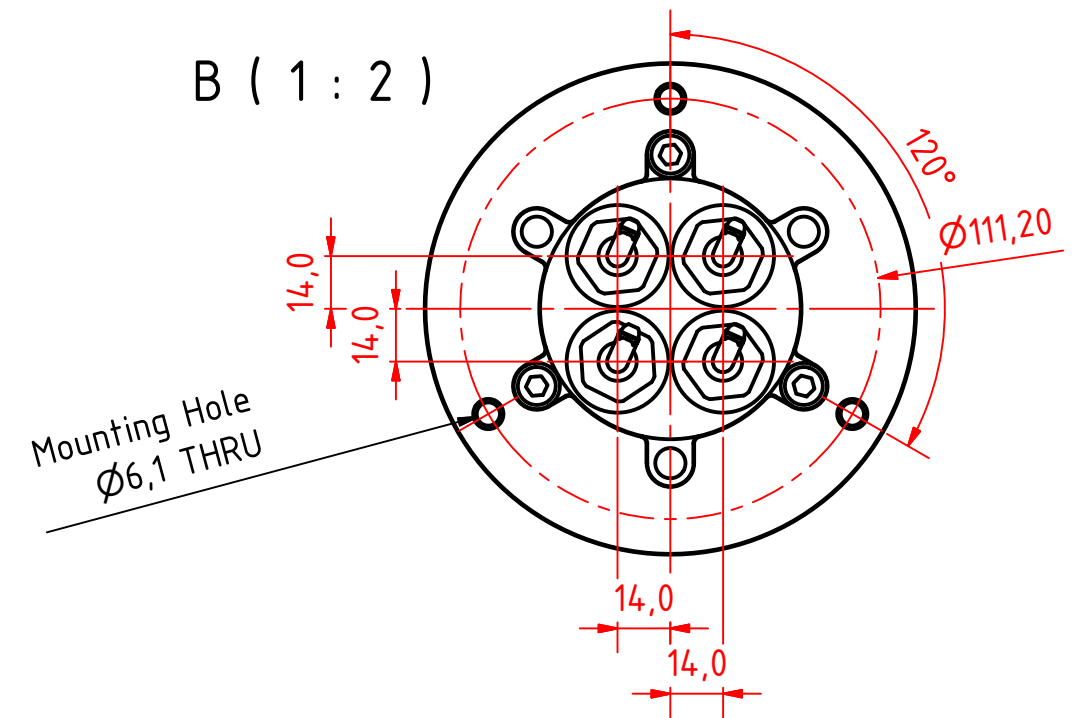
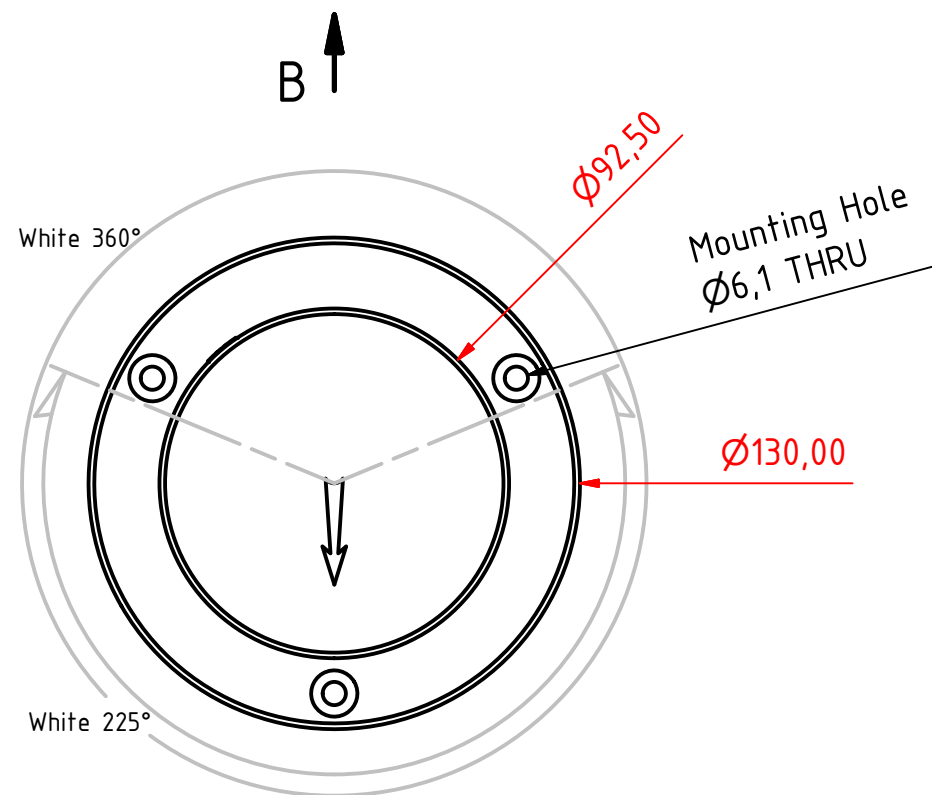
Tel:(+45) 32 48 50 30 Fax:(+45) 32 48 50 32
info@lopolight.com

www.lopolight.com





B (1 : 2)



300-038, 225° White, Masthead double light
w/double 200-012 anchor. 400-035
Promount, 400-401 Alu Base Plate, CD.

DRAWING NO.: 300-038BC REV. NO.: 0 SIZE: A3 DRAWN BY: Friisen

SCALE: 1:2 TOLERANCES: DS/ISO 2768-f REVIEWED BY: CREATION DATE: 25-Sep-2014

MATERIAL DESCRIPTION: Aluminium, Acrylic. (20µ) Silver anodized according to EN ISO 7599 (50µ) Black anodized according to MIL-A 8625F

This Drawing, and the information within, is the property of Lopolight ApS and may not be used in any form without express permission there from. Lopolight reserves the right to change this drawing and assumes no liability for the information communicated herein. Use of dimensions and other information in this drawing is at the users own risk.



Lopolight ApS
Ved Klaedebo 12
DK-2970, Hoersholm
Denmark

Tel:(+45) 32 48 50 30 Fax:(+45) 32 48 50 32
info@lopolight.com www.lopolight.com

