

400-082 - HIGH INTENSITY WHITE DECK/SPREADER LIGHT

The LED light consists of a cluster of 3 LEDs that produces light in the specified angle.

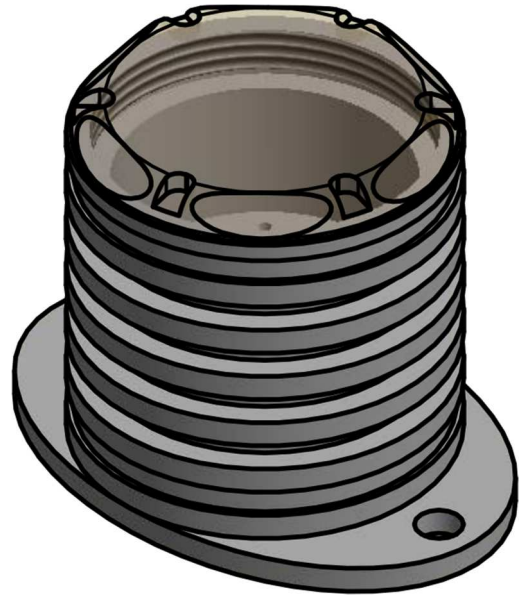
This LED navigation light consists of a single high-power LED that produces light in the specified angle utilizing a special designed PMMA light guide.

The precision machined 6082 aluminium housing with an anodized surface makes the light a rugged and durable housing for the LEDs and electronics contained within.

The interior is completely filled with a special potting resin making it water- and vibration proof.

Produced in our in-house manufacturing facility to meet and exceed exacting standards such as EN14744 and UL1104, under a quality management system continuously surveyed by Lloyds Register Quality Assurance.

Each light is subjected to final testing for a minimum of 16 hours of continuous operation bringing the total test time beyond 24 hours.



Technical specifications

Vessel size: **All vessel sizes**

Intensity: **1500 lumen**

Lens options: **6°, 26°, 36°, 74°**

Power consumption; **6 Watt; Current: 0,25A @ 24 VDC - 0,5A @ 12 VDC**

Operating voltage: **10 - 32 V DC**

Mounting: **Surface**

Number of LEDs: **3**

Light colour: **White (3500 Kelvin)**

Operating temperature: **-25°C to +55°C**

IP Rating: **IP68**

Connection: **1 cable consisting of 2 x 0,5 mm² leads, a screen and insulation.**

- **Red lead = Power**
- **Black lead = GND**

Dimensions: **See drawing**

Weight: **0,6kg**

Warranty:

Lopolight products are covered by a 5-year limited warranty.

Warranty conditions can be found on www.lopolight.com/Home/Service

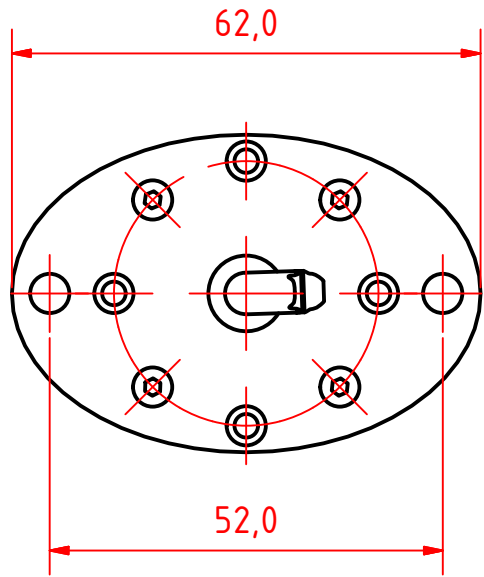
Included in the package:

- **1pc. Deck/Spreader light pre-cabled with 2.5m marine grade cable**
- **Installation instructions**

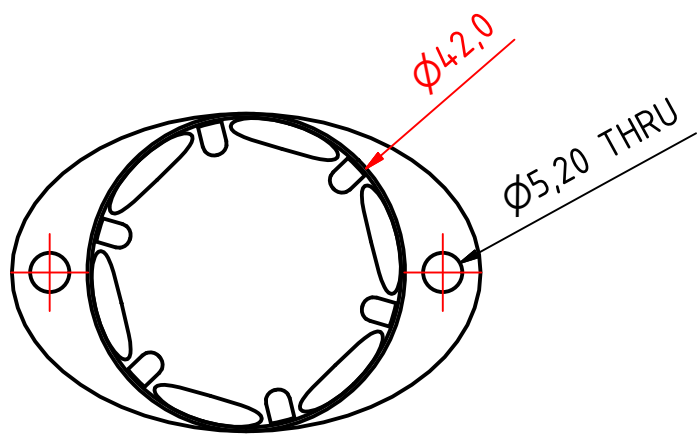
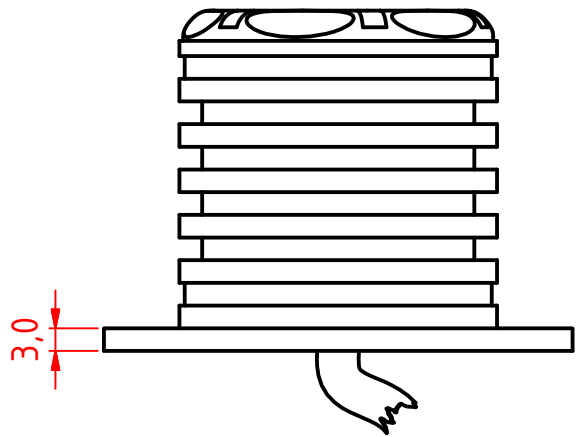
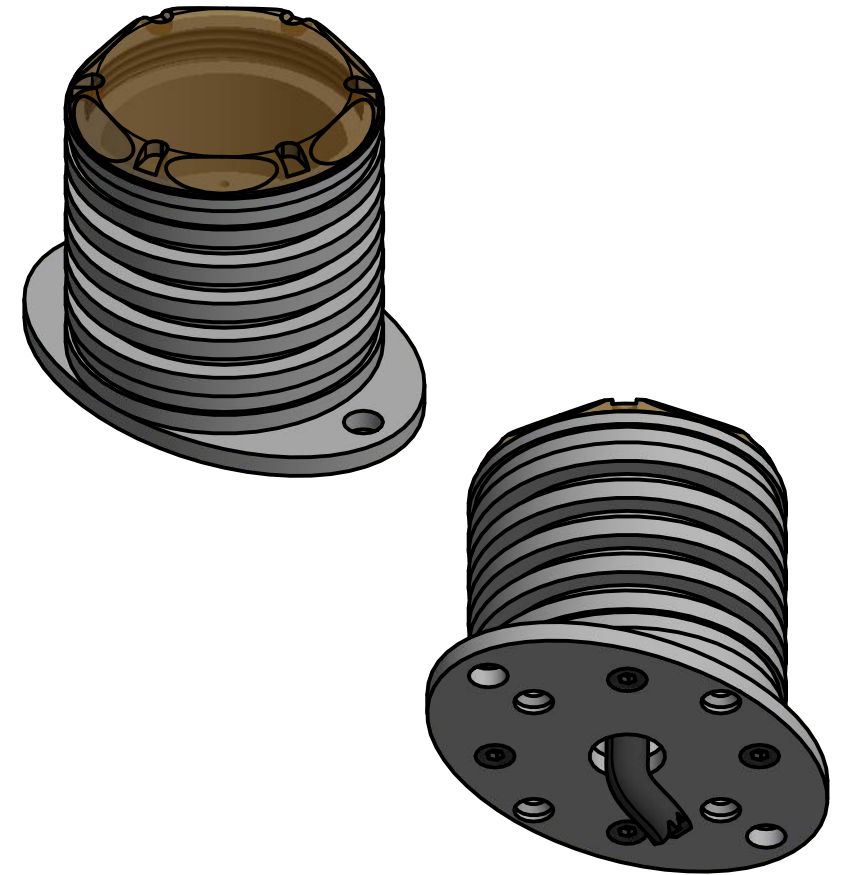
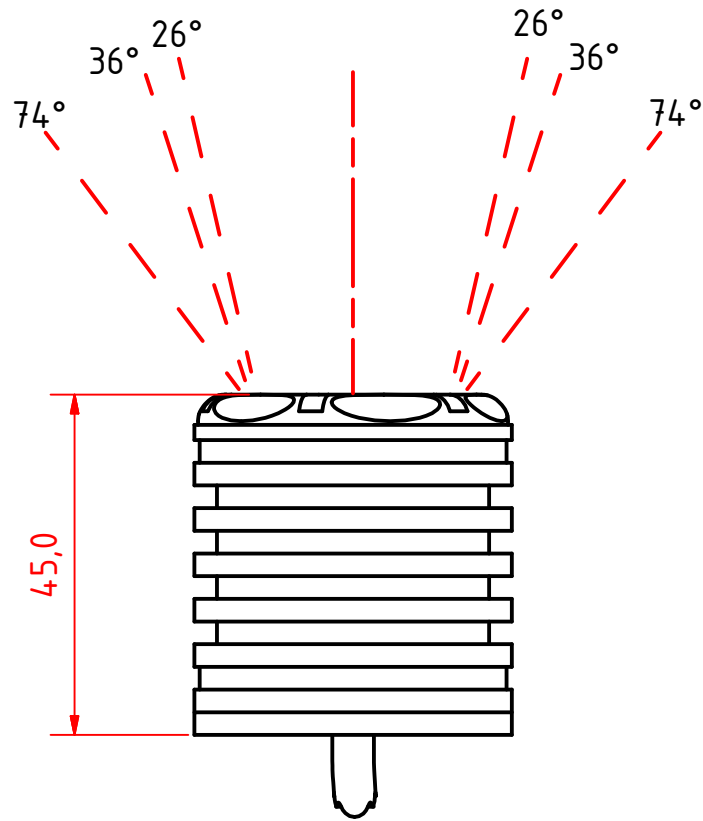
Ordering information

Lens option	CABLE LENGTH	PART NUMBER SILVER FINISH	PART NUMBER BLACK FINISH*
6°	2,5m / 8.2' (standard)	400-082-06	400-082-06-B
	10m / 32.8'	400-082-06 10M	400-082-06-B 10M
	20m / 65.6'	400-082-06 20M	400-082-06-B 20M
26°	2,5m / 8.2' (standard)	400-082-26	400-082-26-B
	10m / 32.8'	400-082-26 10M	400-082-26-B 10M
	20m / 65.6'	400-082-26 20M	400-082-26-B 20M
36°	2,5m / 8.2' (standard)	400-082-36	400-082-36-B
	10m / 32.8'	400-082-36 10M	400-082-36-B 10M
	20m / 65.6'	400-082-36 20M	400-082-36-B 20M
74°	2,5m / 8.2' (standard)	400-082-74	400-082-74-B
	10m / 32.8'	400-082-74 10M	400-082-74-B 10M
	20m / 65.6'	400-082-74 20M	400-082-74-B 20M

*) The black finish option has a tougher hard coat anodizing of 50μ thickness



These lights can be accomodated with either a 26° a 36° or a 74° light beam.



400-082, 6W High power spreader/deck light, available 26° or 36° or 74°, dimmable

DRAWING NO.: 400-082AA	REV. NO.: 0	SIZE: A3	DRAWN BY: paulhardercohen
SCALE: 1:1	TOLERANCES: DS/ISO 2768-f	REVIEWED BY: JM	

MATERIAL DESCRIPTION:
Aluminium & Acrylic

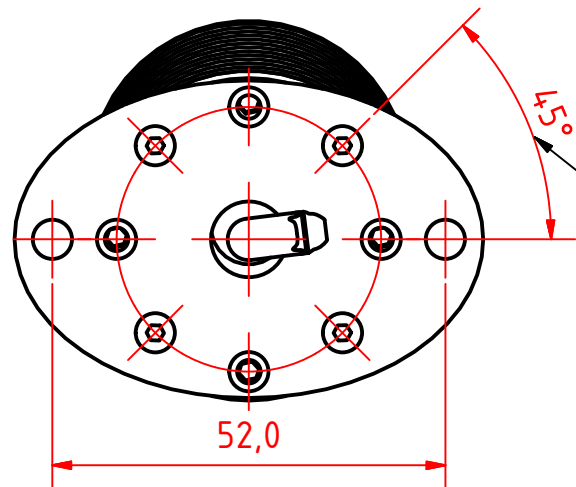
This Drawing, and the information within, is the property of Lopolight ApS and may not be used in any form without express permission there from. Lopolight reserves the right to change this drawing and assumes no liability for the information communicated herein. Use of dimensions and other information in this drawing is at the users own risk.



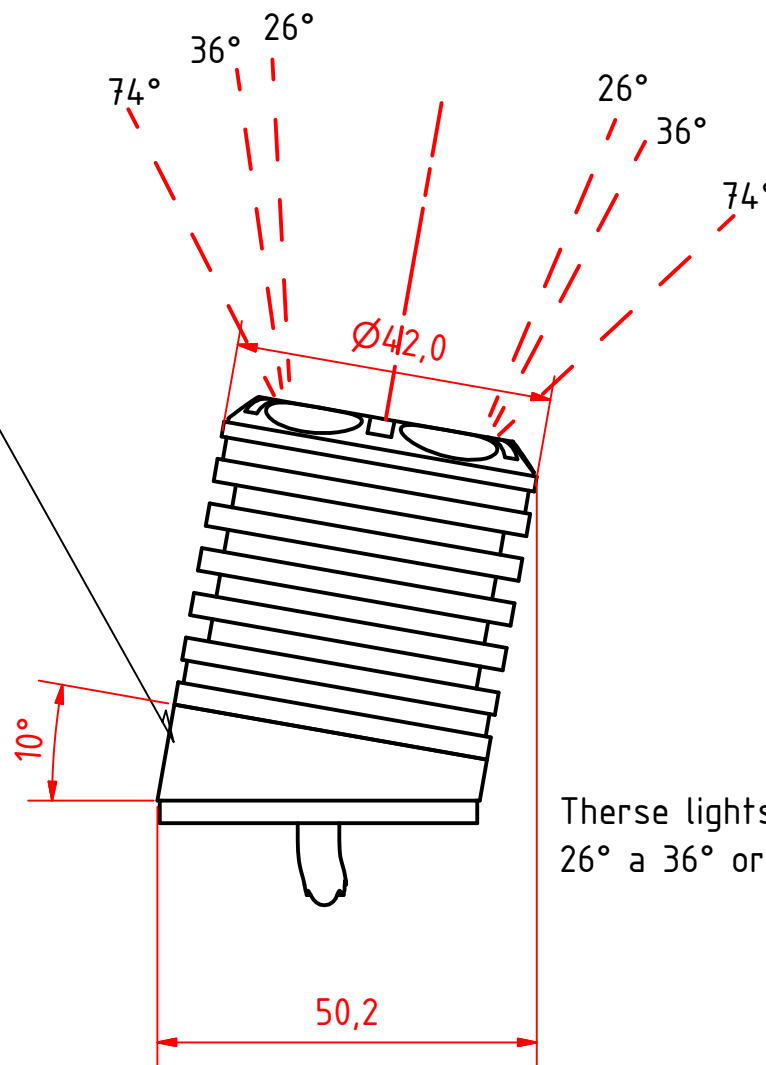
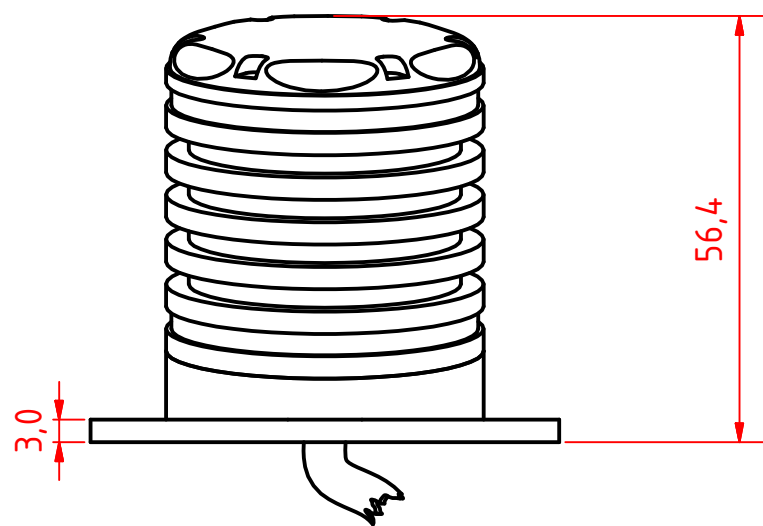
Lopolight ApS
Ved Klaedebo 12
DK-2970, Hoersholm
Denmark

Tel: (+45) 32 48 50 30 Fax: (+45) 32 48 50 32
info@lopolight.com

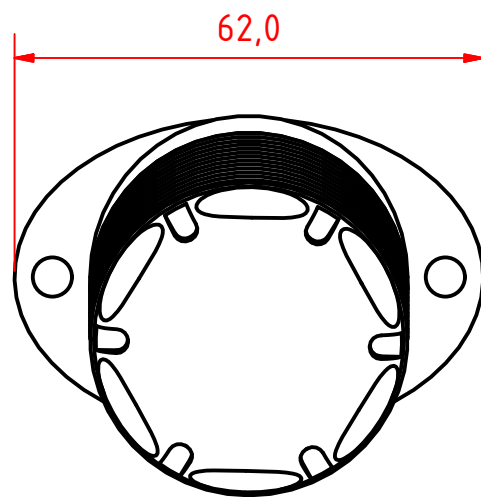
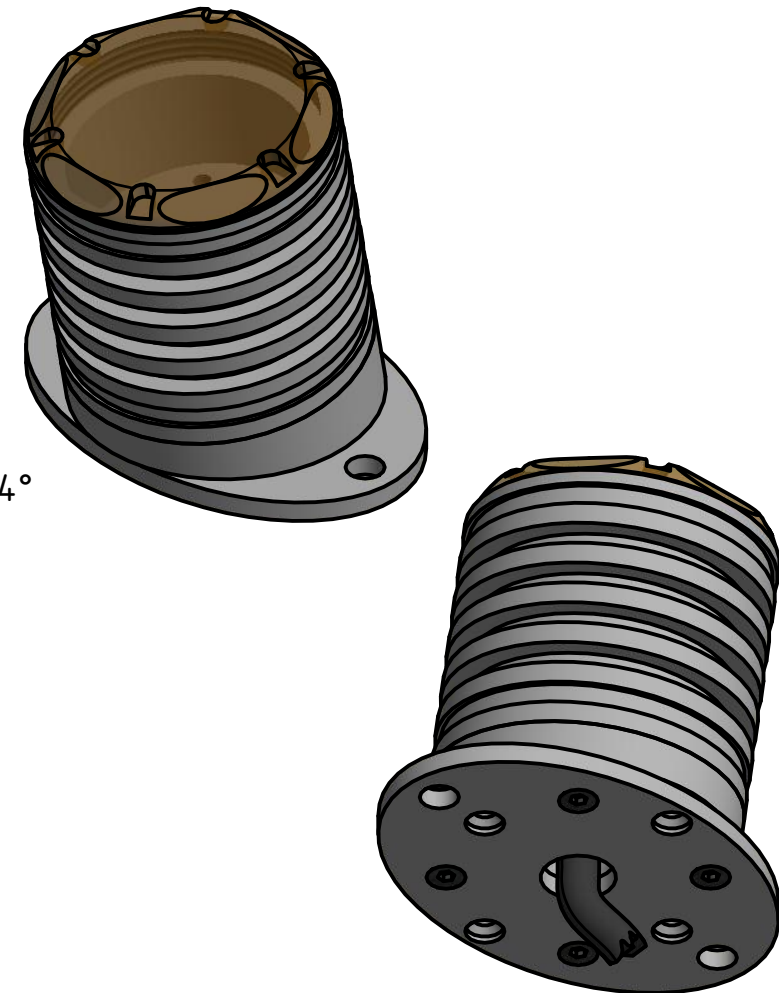




The 10° wedge can be reoriented in relationship to the base plate in 90° Intervals



These lights can be accomodated with either a 26° a 36° or a 74° light beam.



Rev1: 22/11/17 Rotation angle notation correction

400-082, 6W High power spreader/deck light, available 26° or 36° or 74°, dimmable with Angle Base

DRAWING NO.: 400-082BB	REV. NO.: 1	SIZE: A3	DRAWN BY: paulhardercohen
SCALE: 1:1	TOLERANCES: DS/ISO 2768-f	REVIEWED BY: JM	

MATERIAL DESCRIPTION:
Aluminium & Acrylic

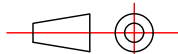
This Drawing, and the information within, is the property of Lopolight ApS and may not be used in any form without express permission there from. Lopolight reserves the right to change this drawing and assumes no liability for the information communicated herein. Use of dimensions and other information in this drawing is at the users own risk.

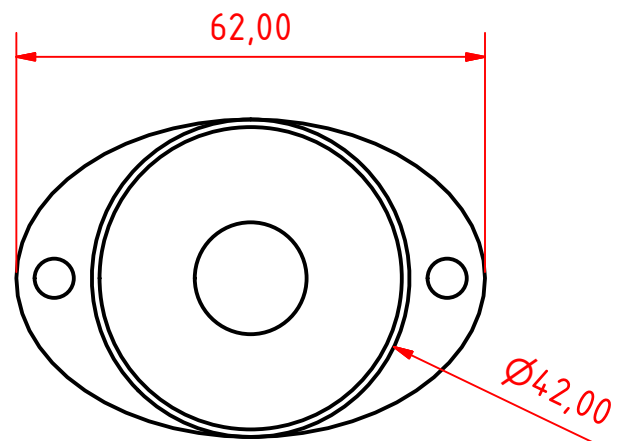
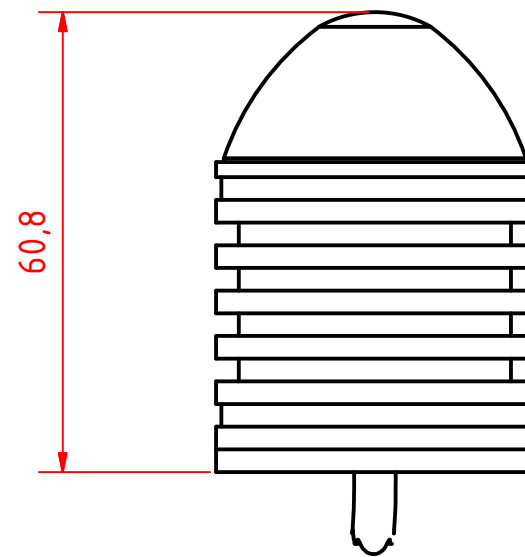
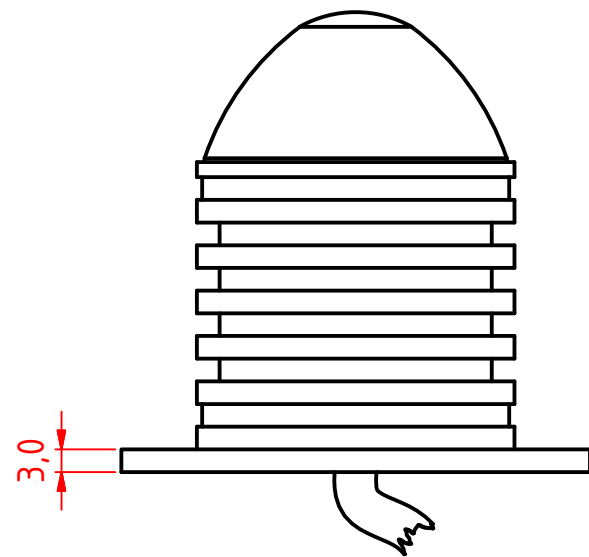
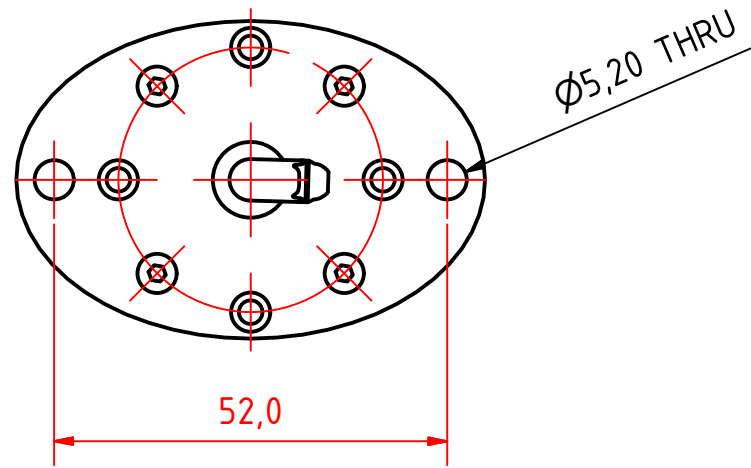


Lopolight ApS
Ved Klaedebo 12
DK-2970, Hoersholm
Denmark

Tel: (+45) 32 48 50 30 Fax: (+45) 32 48 50 32
info@lopolight.com

50MM AT A3





400-082, 6W High power spreader/deck light, 6°, dimmable

DRAWING NO.: 400-082CC REV. NO.: 0 SIZE: A3 DRAWN BY: paulhardercohen

SCALE: 1:1 TOLERANCES: DS/ISO 2768-f REVIEWED BY: JM

MATERIAL DESCRIPTION: Aluminium & Acrylic

This Drawing, and the information within, is the property of Lopolight ApS and may not be used in any form without express permission there from. Lopolight reserves the right to change this drawing and assumes no liability for the information communicated herein. Use of dimensions and other information in this drawing is at the users own risk.

LOPOLIGHT

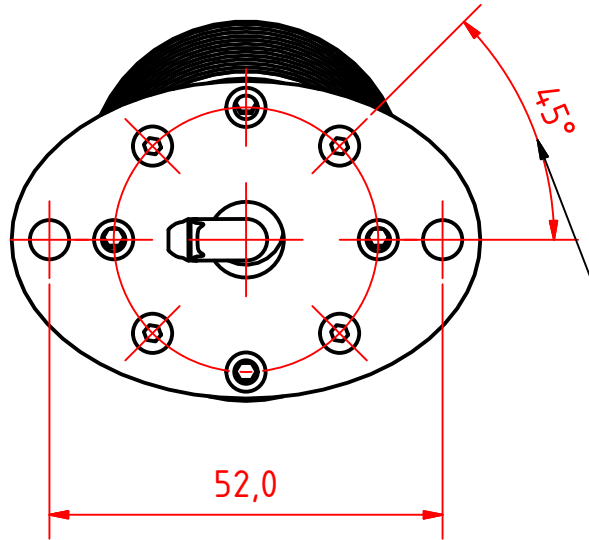
Lopolight ApS
Ved Klaedebo 12
DK-2970, Hoersholm
Denmark

www.lopolight.com

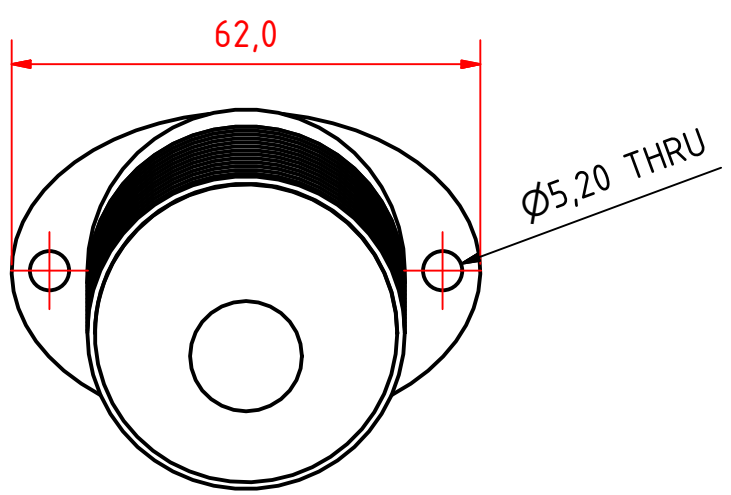
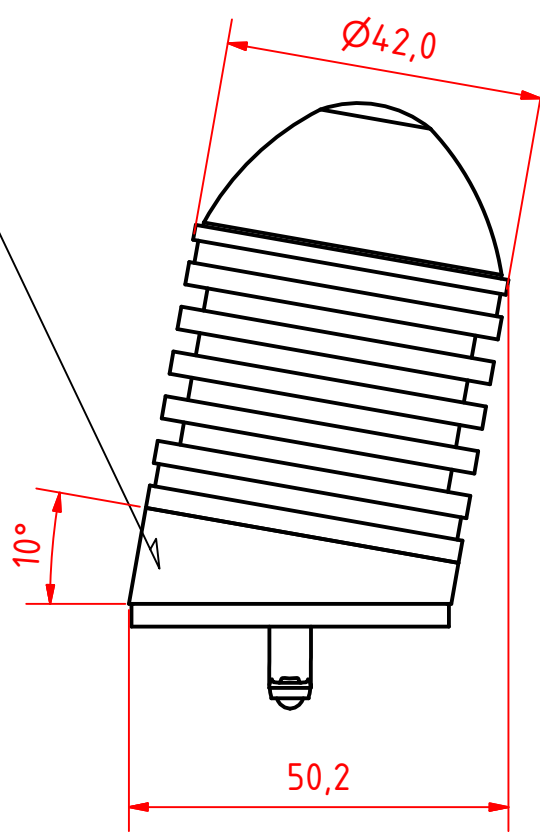
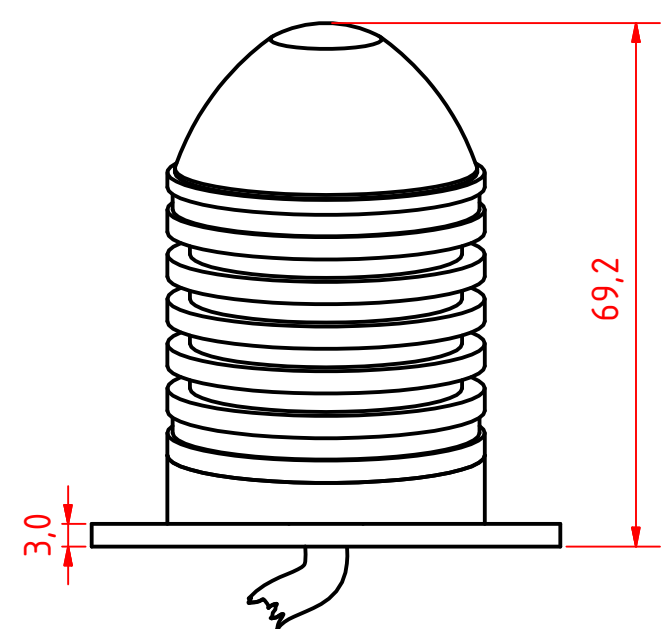
Tel: (+45) 32 48 50 30 Fax: (+45) 32 48 50 32
info@lopolight.com

50MM AT A3





The 10° wedge can be reoriented in relationship to the base plate in 90° Intervals



Rev1: 22/11/17 Rotation angle notation correction

400-082, 6W High power spreader/deck light, 6°, dimmable With Angle Base

DRAWING NO.: 400-082DD	REV. NO.: 1	SIZE: A3	DRAWN BY: paulhardercohen
SCALE: 1:1	TOLERANCES: DS/ISO 2768-f	REVIEWED BY: JM	

MATERIAL DESCRIPTION:
Aluminium & Acrylic

This Drawing, and the information within, is the property of Lopolight ApS and may not be used in any form without express permission there from. Lopolight reserves the right to change this drawing and assumes no liability for the information communicated herein. Use of dimensions and other information in this drawing is at the users own risk.



Lopolight ApS
Ved Klaedebo 12
DK-2970, Hoersholm
Denmark

Tel:(+45) 32 48 50 30 Fax:(+45) 32 48 50 32
info@lopolight.com

