

400-083
6W HIGH INTENSITY WHITE DECK/SPREADER LIGHT
FLUSH MOUNTED

The LED light consists of a cluster of 3 LEDs that produces light in the specified angle.

The precision machined 6082 aluminium housing with an anodized surface makes the light a rugged and durable housing for the LEDs and electronics contained within.

The interior is completely filled with a special potting resin making it water- and vibration proof.

Produced in our in-house manufacturing facility to meet and exceed exacting standards such as EN14744 and UL1104, under a quality management system continuously surveyed by Lloyds Register Quality Assurance.

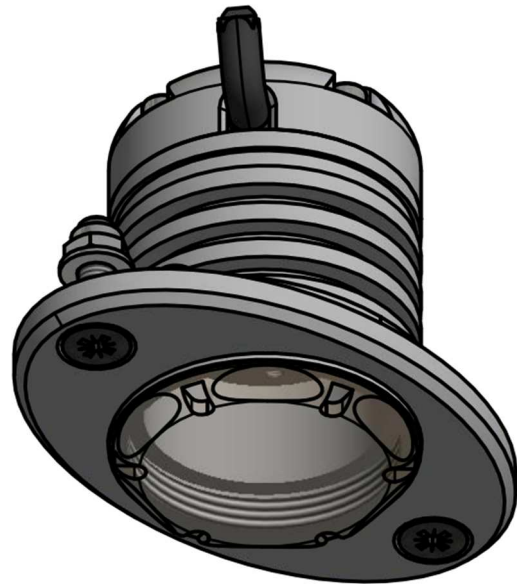
Each light is subjected to final testing for a minimum of 16 hours of continuous operation bringing the total test time beyond 24 hours.

This navigation light is in compliance with the following standards:

- COLREG72
- EN14744
- IEC 60945
- USCG (UL1104)

Together with an appropriate Control & Monitoring System, such as Lopolight's own NLC* this navigation light can form part of an IMO MSC 253(83), LY3 and LY4 compliant system.

*) information found here: www.lopolight.com/NlcPanel



Technical specifications

Vessel size: **All vessel sizes**

Intensity: **1500 lumen**

Mounting: **Flush mounted (Flexible depth)**

Lens options: **6°, 26°, 36°, 74°**

Power consumption; **6 Watt; Current: 0,25A @ 24 VDC – 0,5A @ 12 VDC**

Operating voltage: **10 - 32 V DC**

Number of LEDs: **3**

Light colour: **White (3500 Kelvin)**

Operating temperature: **-25°C to +55°C**

IP Rating: **IP68**

Mounting: **Flush**

Connection: **1 cable consisting of 2 x 0,5 mm² leads, a screen and insulation.**

- **Red lead = Power**
- **Black lead = GND**

Dimensions: **See drawing**

Weight: **0,6kg**

Warranty:

Lopolight products are covered by a 5-year limited warranty.

Warranty conditions can be found on www.lopolight.com/Service

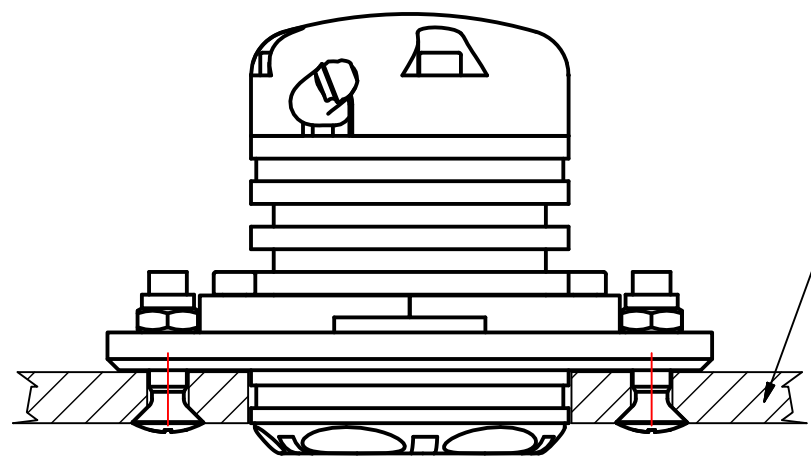
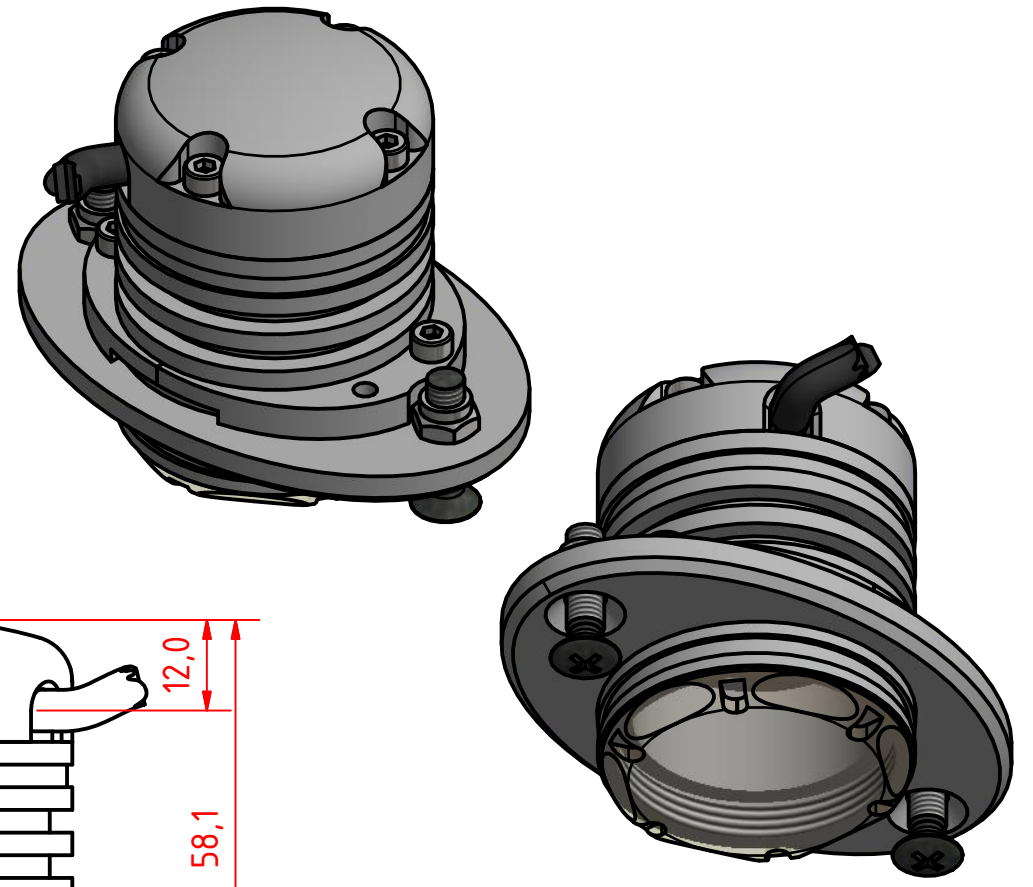
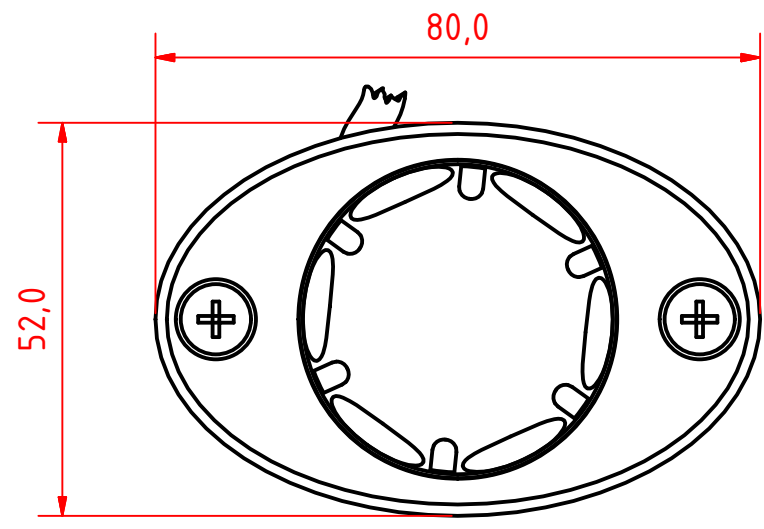
Included in the package:

- **1 pc. Navigation light pre-cabled with 2.5m marine grade cable**
- **Installation instructions**

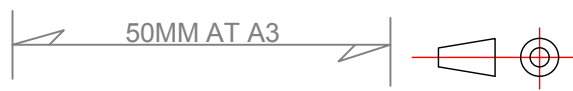
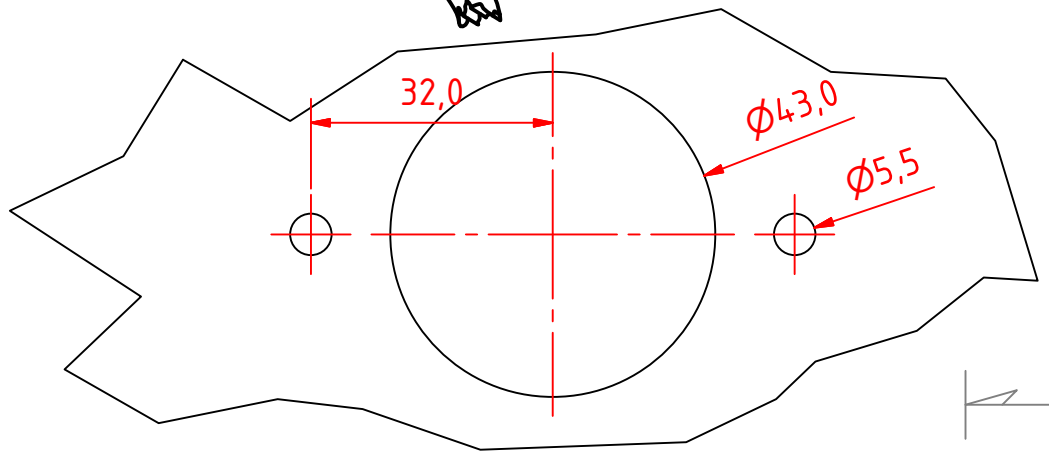
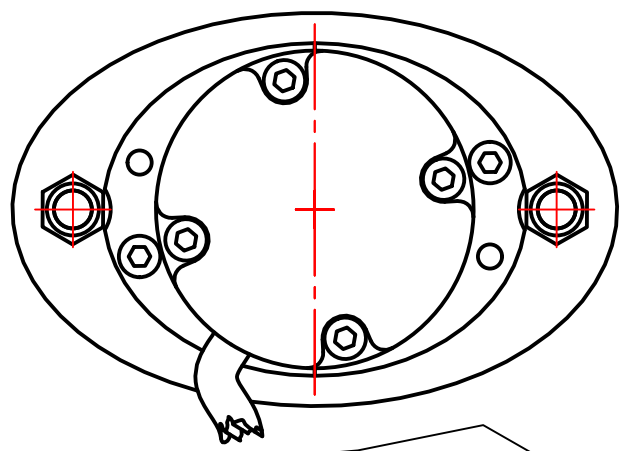
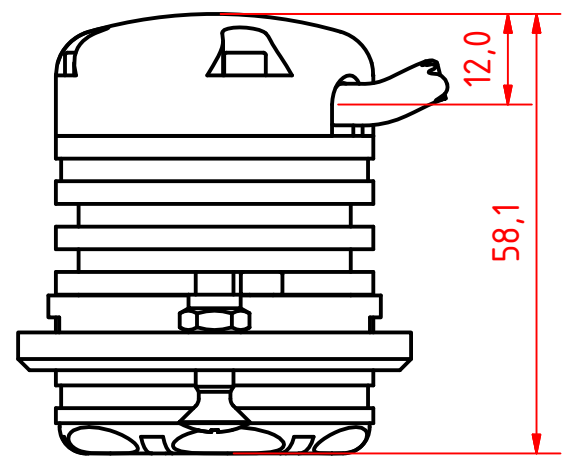
Ordering information

LENS OPTION	CABLE LENGTH	PART NUMBER SILVER FINISH	PART NUMBER BLACK FINISH*
6°	2,5m / 8.2' (standard)	400-083-06	400-083-06-B
	10m / 32.8'	400-083-06 10M	400-083-06-B 10M
26°	2,5m / 8.2' (standard)	400-083-26	400-083-26-B
	10m / 32.8'	400-083-26 10M	400-083-26-B 10M
36°	2,5m / 8.2' (standard)	400-083-36	400-083-36-B
	10m / 32.8'	400-083-36 10M	400-083-36-B 10M
74°	2,5m / 8.2' (standard)	400-083-74	400-083-74-B
	10m / 32.8'	400-083-74 10M	400-083-74-B 10M

*) The black finish option has a tougher hard coat anodizing of 50μ thickness



Substrate thickness
can vary up to
19mm thick



400-083 Boom light mounted flush with
cover plate inside of boom

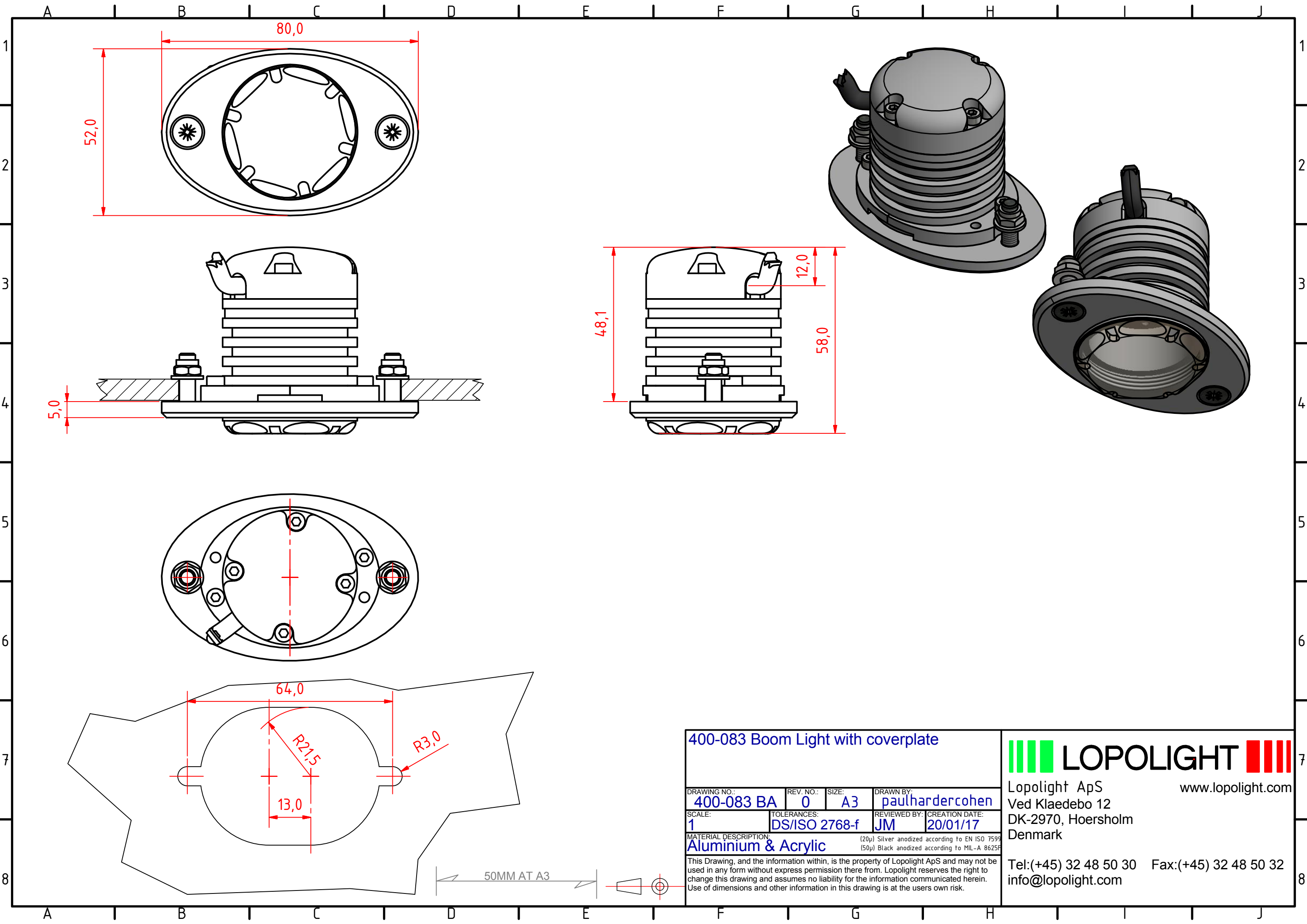
DRAWING NO.: 400-083AA	REV. NO.: 0	SIZE: A3	DRAWN BY: paulhardercohen
SCALE: 1:2	TOLERANCES: DS/ISO 2768-f	REVIEWED BY: JM	CREATION DATE: 20/01/17
MATERIAL DESCRIPTION: Aluminium & Acrylic			

(20µ) Silver anodized according to EN ISO 7599
(50µ) Black anodized according to MIL-A 8625F
This Drawing, and the information within, is the property of Lopolight ApS and may not be used in any form without express permission there from. Lopolight reserves the right to change this drawing and assumes no liability for the information communicated herein. Use of dimensions and other information in this drawing is at the users own risk.



Lopolight ApS www.lopolight.com
Ved Klaedebo 12
DK-2970, Hoersholm
Denmark

Tel:(+45) 32 48 50 30 Fax:(+45) 32 48 50 32
info@lopolight.com



400-083 Boom Light with coverplate

DRAWING NO.: 400-083 BA	REV. NO.: 0	SIZE: A3	DRAWN BY: paulhardercohen
SCALE: 1	TOLERANCES: DS/ISO 2768-f	REVIEWED BY: JM	CREATION DATE: 20/01/17

MATERIAL DESCRIPTION:
Aluminium & Acrylic (20µ) Silver anodized according to EN ISO 7599
(50µ) Black anodized according to MIL-A 8625F

This Drawing, and the information within, is the property of Lopolight ApS and may not be used in any form without express permission there from. Lopolight reserves the right to change this drawing and assumes no liability for the information communicated herein. Use of dimensions and other information in this drawing is at the users own risk.



LOPOLIGHT
Lopolight ApS
Ved Klaedebo 12
DK-2970, Hoersholm
Denmark

www.lopolight.com

Tel: (+45) 32 48 50 30 Fax: (+45) 32 48 50 32
info@lopolight.com