

## 360° HOISTABLE WHITE LIGHT

2 nautical miles	200-012H (<50m / <164')
3 nautical miles	300-112H (>50m / >164')

The LED light consists of a single array of LEDs that produces light in the specified angle.

The precision machined 6082 aluminium housing with an anodized surface makes the light a rugged and durable housing for the LEDs and electronics contained within.

The interior is completely filled with a special potting resin making it water- and vibration proof.

Produced in our in-house manufacturing facility to meet and exceed exacting standards such as EN14744 and UL1104, under a quality management system continuously surveyed by Lloyds Register Quality Assurance.

Each light is subjected to final testing for a minimum of 16 hours of continuous operation bringing the total test time beyond 24 hours.

This navigation light is in compliance with the following standards:

- COLREG72
- EN14744
- IEC 60945
- USCG (UL1104)

Together with an appropriate Control & Monitoring System, such as Lopolight's own NLC\* this navigation light can form part of an IMO MSC 253(83), LY3 and LY4 compliant system.

\*) information found here: [www.lopolight.com/NlcPanel](http://www.lopolight.com/NlcPanel)



Technical specifications**200-012H;**

Vessel size: &lt;50m (&lt;164')

Visibility: &gt;2 nautical miles

Intensity: &gt;5.4cd

Power consumption: 2,6 Watt; Current: 0,22A @12 VDC - 0,11A @24 VDC

**300-112H;**

Vessel size: &gt;50m (&gt;164')

Visibility: &gt;3 nautical miles

Intensity: &gt;15cd

Power consumption: 4,5 Watt; Current: 0,38A @12 VDC - 0,17A @24 VDC

Operating voltage: 10 - 32 V DC

Number of LEDs: 28

Light colour: **White**

Operating temperature: -25°C to +55°C

IP rating: **IP68**Mounting: **Hoistable**Connection: 1 cable consisting of 2 x 0,5 mm<sup>2</sup> leads, a screen and insulation.

- Red lead = Power
- Black lead = GND

Certification: The product is certified by Lloyds (LR) and certificates can be found on [www.lopolight.com](http://www.lopolight.com) under certificates.The product is in compliance with the following standard(s):  
COLREG72/ EN14744 / IEC 60945 / USCG (UL1104)Dimensions: **See drawing**Weight: **0,6kg**Warranty:

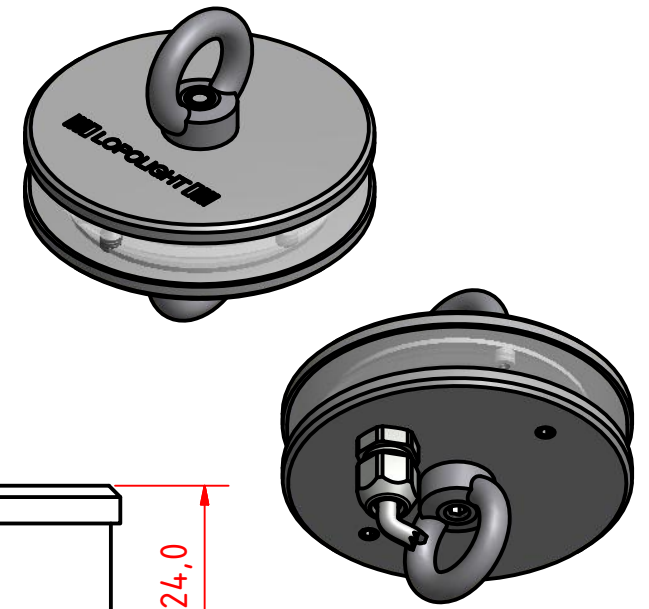
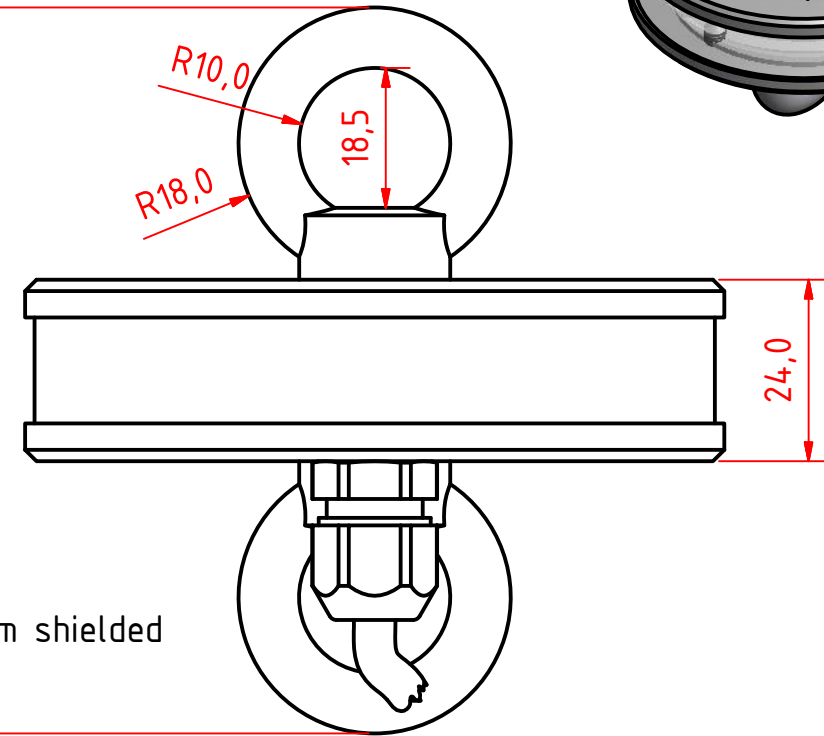
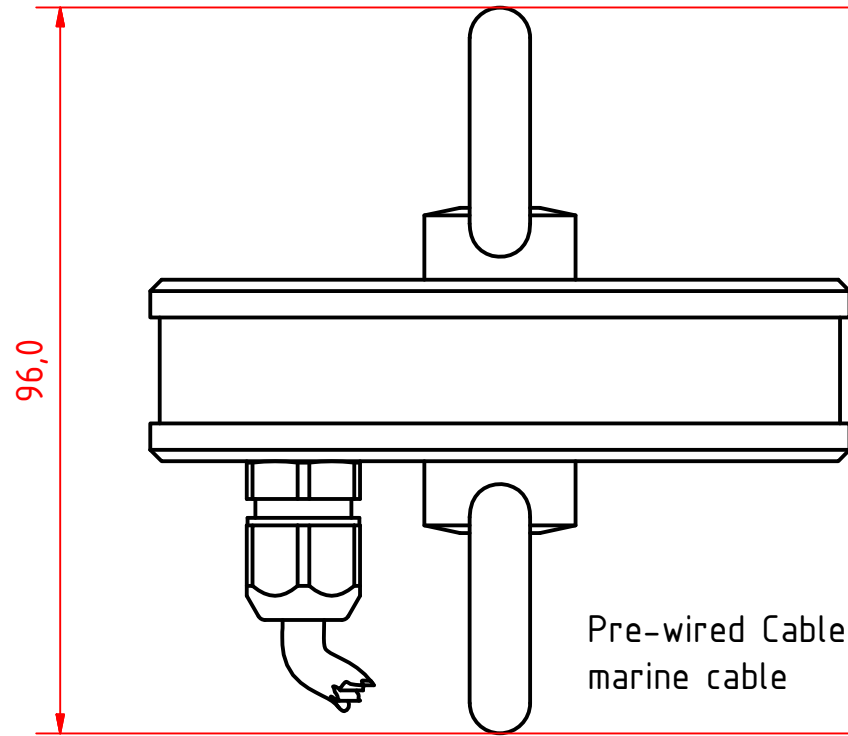
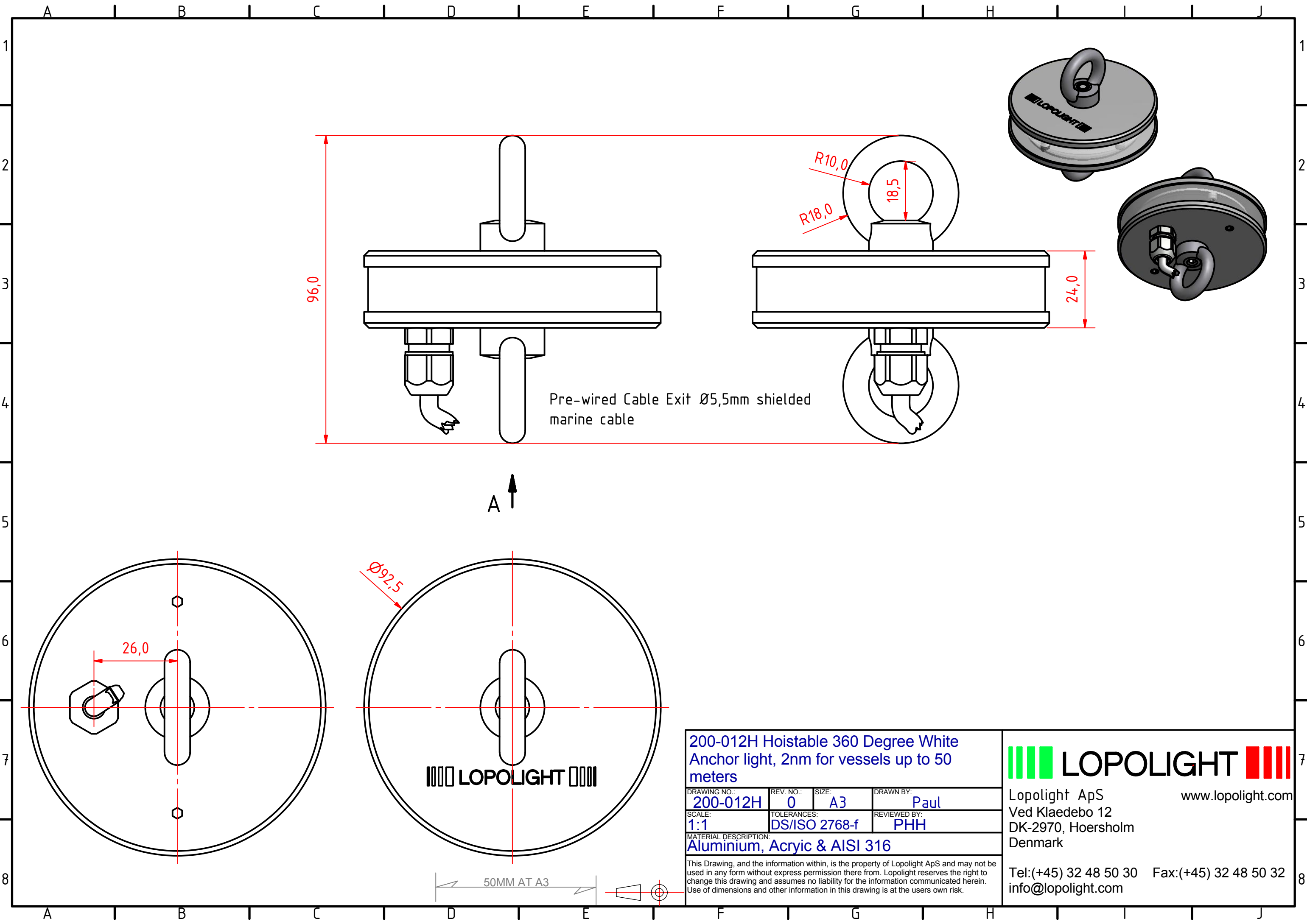
Lopolight products are covered by a 5-year limited warranty.

Warranty conditions can be found on [www.lopolight.com/Home/Service](http://www.lopolight.com/Home/Service)Included in the package:

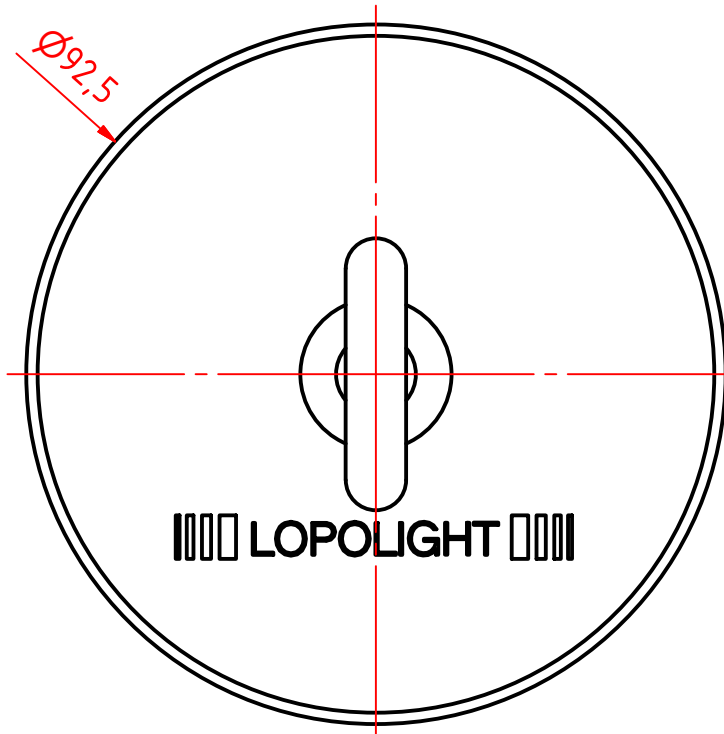
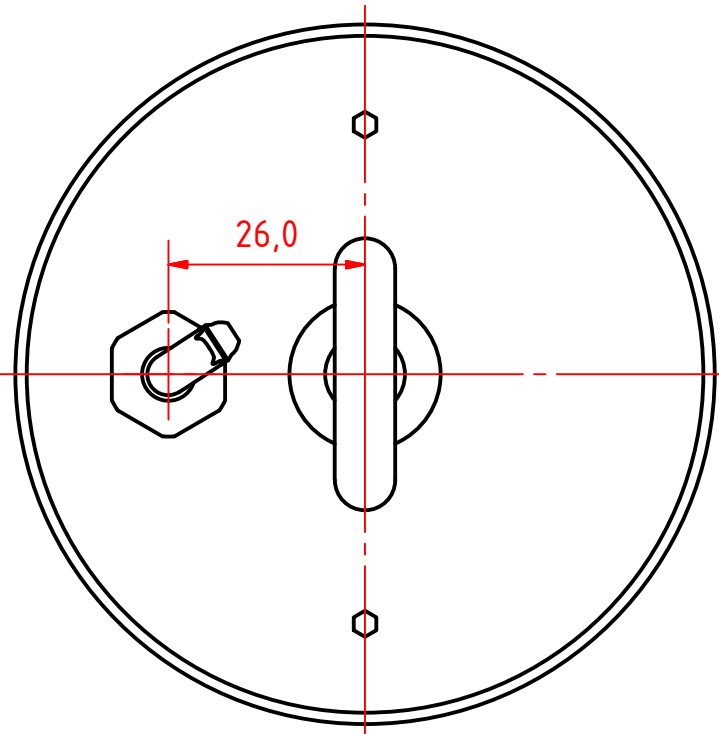
- 1 Hoistable navigation light
- Installation instructions

### Ordering information

VISIBILITY	CABLE LENGTH	PART NUMBER SILVER FINISH	PART NUMBER BLACK FINISH
2 nautical miles	20m / 65.6'	200-012H	200-012H-B
3 nautical miles	20m / 65.6'	300-112H	300-112H-B



A ↑



**200-012H Hoistable 360 Degree White Anchor light, 2nm for vessels up to 50 meters**

DRAWING NO.: <b>200-012H</b>	REV. NO.: <b>0</b>	SIZE: <b>A3</b>	DRAWN BY: <b>Paul</b>
SCALE: <b>1:1</b>	TOLERANCES: <b>DS/ISO 2768-f</b>	REVIEWED BY: <b>PHH</b>	

MATERIAL DESCRIPTION:  
**Aluminium, Acrylic & AISI 316**

This Drawing, and the information within, is the property of Lopolight ApS and may not be used in any form without express permission there from. Lopolight reserves the right to change this drawing and assumes no liability for the information communicated herein. Use of dimensions and other information in this drawing is at the users own risk.



Lopolight ApS  
Ved Klaedebo 12  
DK-2970, Hoersholm  
Denmark

www.lopolight.com

Tel:(+45) 32 48 50 30 Fax:(+45) 32 48 50 32  
info@lopolight.com

50MM AT A3