

## 180° RED LIGHT SINGLE, VERTICALLY MOUNTED

2 nautical miles      200-016 (<50m / <164')  
3 nautical miles      300-116(>50m / >164')

The LED light consists of a single array of LEDs that produces light in the specified angle.

The precision machined 6082 aluminium housing with an anodized surface makes the light a rugged and durable housing for the LEDs and electronics contained within.

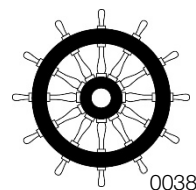
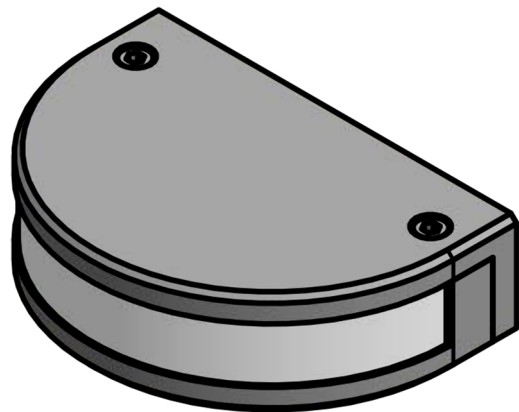
The interior is completely filled with a special potting resin making it water- and vibration proof.

Produced in our in-house manufacturing facility to meet and exceed exacting standards such as EN14744 and UL1104, under a quality management system continuously surveyed by Lloyds Register Quality Assurance.

Each light is subjected to final testing for a minimum of 16 hours of continuous operation bringing the total test time beyond 24 hours.

This navigation light is in compliance with the following standards:

- COLREG72
- EN14744
- IEC 60945
- USCG (UL1104)



Together with an appropriate Control & Monitoring System, such as Lopolight's own NLC\* this navigation light can form part of an IMO MSC 253(83), LY3 and LY4 compliant system.

\*) information found here: [www.lopolight.com/NlcPanel](http://www.lopolight.com/NlcPanel)

Technical specifications**200-016;**

Vessel size: &lt;50m (&lt;164')

Visibility: &gt;2 nautical miles

Intensity: &gt;5,4cd

Power consumption: 1 Watt; Current: 0,08A@ 12 VDC – 0,05 @ 24 VDC

**300-116;**

Vessel size: &gt;50m (&gt;164')

Visibility: &gt;3 nautical miles

Intensity: &gt;15cd

Power consumption: 1,1 Watt; Current: 0,09A @12 VDC - 0,05A @24 VDC

Operating voltage: 10 - 32 V DC

Number of LEDs: 12

Light colour: Red

Operating temperature: -25°C to +55°C

IP Rating: IP68

Mounting: Vertical

Connection: 1 cable consisting of 2 x 0,5 mm<sup>2</sup> leads, a screen and insulation.

- Red lead = Power
- Black lead = GND

Certification: The product is certified by Lloyds (LR) and certificates can be found on [www.lopolight.com](http://www.lopolight.com) under certificates.The product is in compliance with the following standard(s):  
COLREG72 / EN14744 / IEC 60945 / USCG (UL1104)

Dimensions: See drawing

Weight: 0,34kg

Warranty:

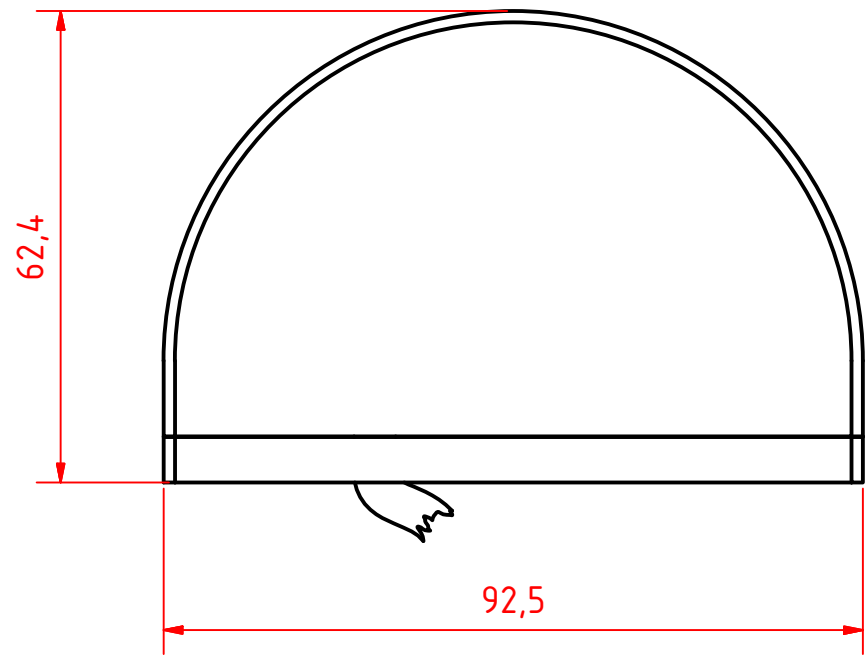
Lopolight products are covered by a 5-year limited warranty.

Warranty conditions can be found on [www.lopolight.com/Home/Service](http://www.lopolight.com/Home/Service)Included in package:

- 1 pc. Navigation light, pre-cabled with 0,75m marine grade cable
- 2 pcs. Mounting screws (M6 x 8 mm)
- Installation instructions

## Ordering information

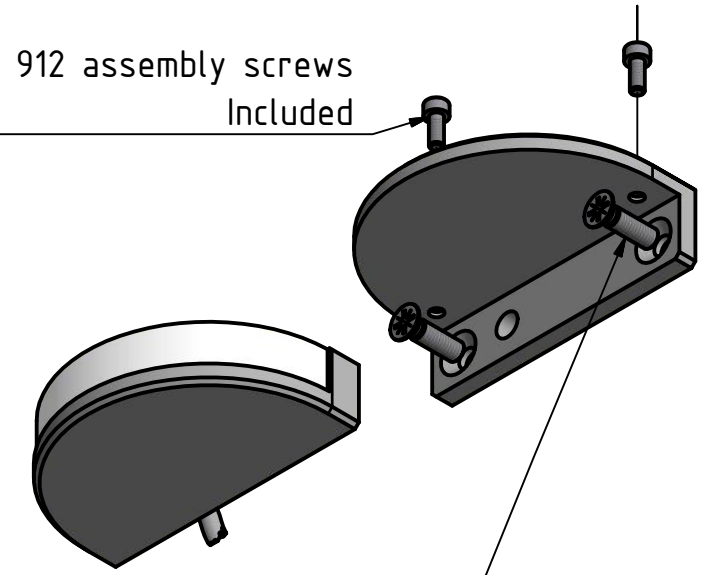
VISIBILITY	CABLE LENGTH	PART NUMBER SILVER FINISH	PART NUMBER BLACK FINISH
2 nautical miles	0,75m / 2.5' (standard)	200-016	200-016-B
	6m / 19.7'	200-016 6M	200-016-B 6M
3 nautical miles	0,75m / 2.5' (standard)	300-116	300-116-B
	2,5m / 8.2'	300-116 2.5M	300-116-B 2.5M
	6m / 19.7'	300-116 6M	300-116-B 6M
	10m / 32.8'	300-116 10M	300-116-B 10M
	20m / 65.6'	300-116 20M	300-116-B 20M



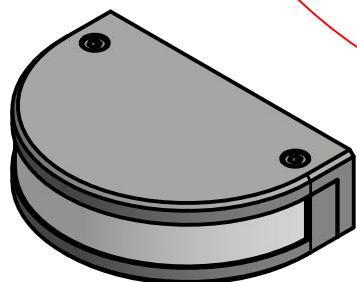
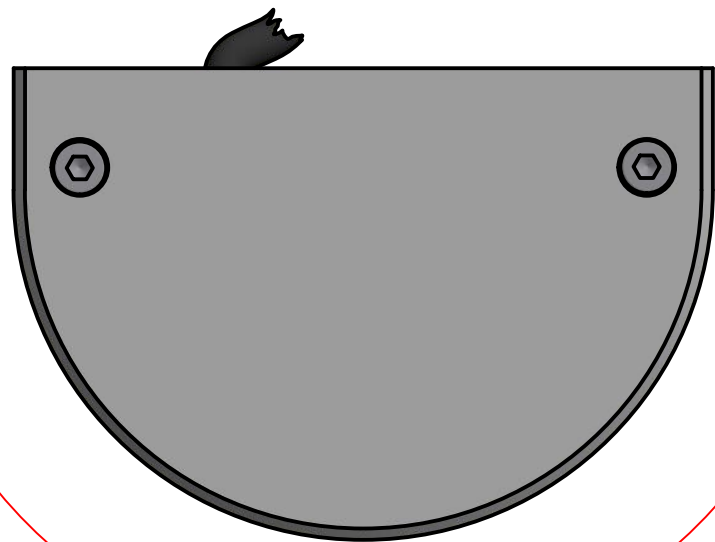
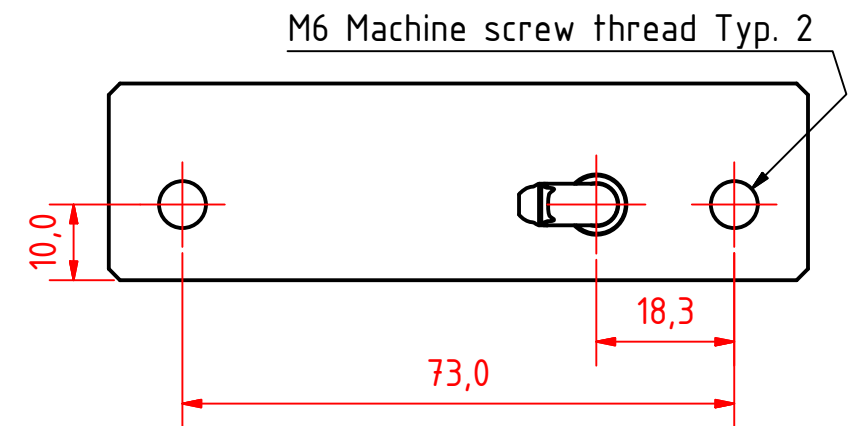
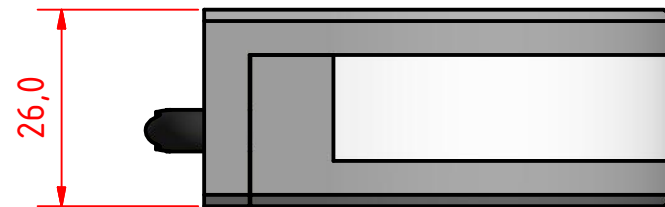
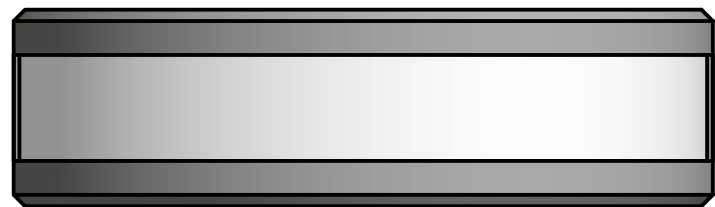
**Mounting Instructions:**

- Remove the two DIN 912 screws on the top side of the assembly, thus releasing the navigation light from its mounting bracket.
- Drill the holes for the machine screws and the cable as shown on the measurements. Thread the screw mounting holes if applicable to the specific situation.
- Mount the mounting bracket onto the super structure using two 6m countersunk machine screws. Make sure that the surface is flat and vertical.
- Resassemble the Navigation light

DIN 912 assembly screws  
Included



M6 counter sunk,  
mounting screws not included.



50MM AT A3

200-016 180 degree Red, 2 Nautical Mile

DRAWING NO.:	REV. NO.:	SIZE:	DRAWN BY:
200-016AA	0	A3	Paul

SCALE:	TOLERANCES:	REVIEWED BY:
1:1	DS/ISO 2768-f	JM

MATERIAL DESCRIPTION:  
Anodized Aluminium & Acrylic Glass

This Drawing, and the information within, is the property of Lopolight ApS and may not be used in any form without express permission there from. Lopolight reserves the right to change this drawing and assumes no liability for the information communicated herein. Use of dimensions and other information in this drawing is at the users own risk.



Lopolight ApS  
Ved Klaedebo 12  
DK-2970, Hoersholm  
Denmark

www.lopolight.com

Tel:(+45) 32 48 50 30 Fax:(+45) 32 48 50 32  
info@lopolight.com