

# SUPERTYFON<sup>®</sup> MKT 150/110 with Valve Unit TV 784

A high-power whistle according to IMO  
for vessels 200 m or more in length



**Valve Unit TV 784**  
Ref. no. 24510043

## General Information

Nowadays, each vessel from 12 metres and more (length over all) must be equipped with sound signal appliances which are type approved according to the IMO regulations. Hence, one part of the responsibility is the manufacturer's, but still one important part is the shipowner's regarding the choice of appropriate equipment for the vessel in question, the installation and use.

The reason behind the stipulated use of 1/3 octave band filters when measuring is connected to the theory of the hearing sense. A "complex" sound like that from **TYFON<sup>®</sup>** or **SUPERTYFON** consists of several harmonic components. Consequently, the total SPL value is considerably higher than the measured (stipulated) 1/3 octave value.

## Positioning Whistles

For an all-round radiation and a limited noise level from the ship's whistles at the listening posts, the positioning of the ship's whistles is very important. For further information regarding installation regulations and "Combined Systems", see our leaflet "IMO Regulations, KSM 265E".

## Valve Unit

The **VALVE UNIT TV 784** has a good air flow section, thermostatic heating, exchangeable choke flanges and filters. The apparatus is fitted with two coils for normal and emergency operation and lanyard as standard (see the separate leaflet Valve Unit TV 784, KSM 264).

## Installation

**SUPERTYFON MKT 150/110** is to be fixed with four M16 bolts to an outrigger or similar construction. To avoid functional trouble blow the supply pipe thoroughly clean before connecting to the signalling whistle.

If the pipe line above deck is longer than 100m, a primary **FILTER TP 15/2** should be installed at the foot of the mast to protect the signalling apparatus from water condensate and rust particles. This filter is recommended to be drained regularly, approximately once a month.

## Technical Data

Frequency: 110 Hz

Sound Pressure Level (1m):

Total: 149 dB

1/3 octave IMO limit: 143 dB

Air consumption: 60-70 l/s

Air supply pressure with choke regulation:  
0,6—3 MPa (6—30 bar) (40 bar optional)

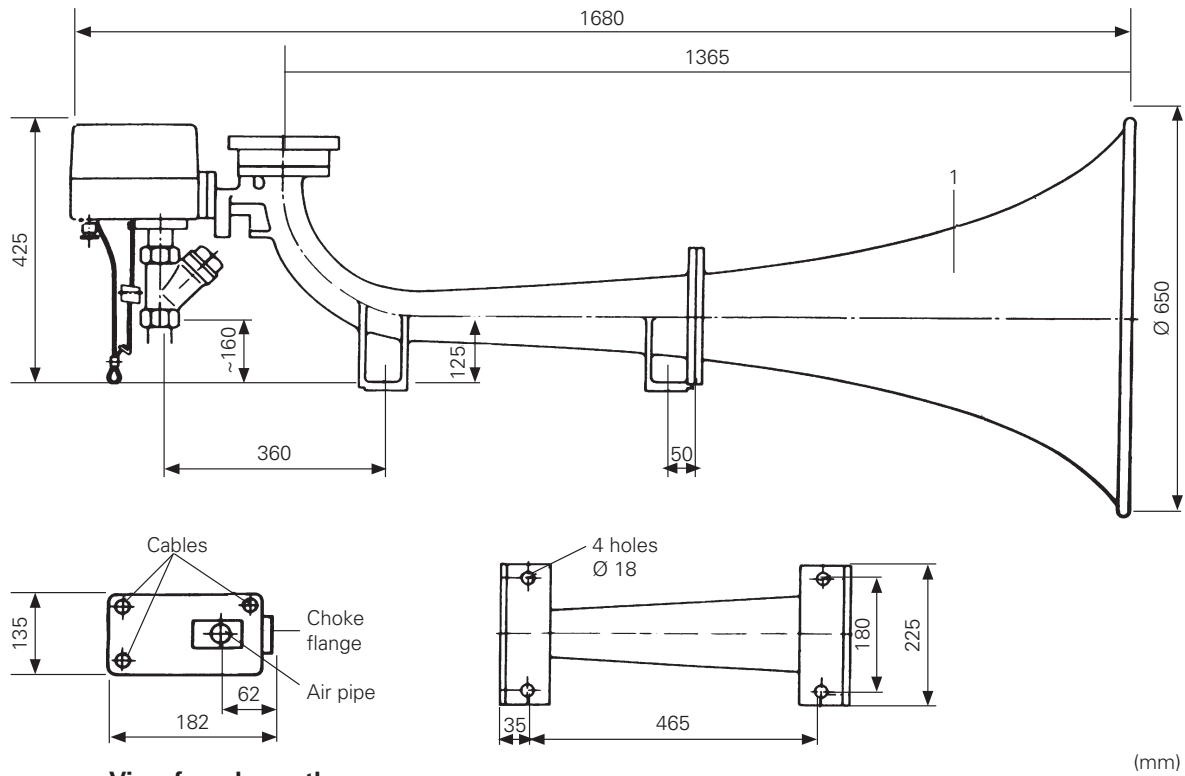
Electric power:

Thermostat heating: 24 W

Valve: 27 W

Weight: 52 kg

# MKT 150/110: Spare Parts and Dimensions

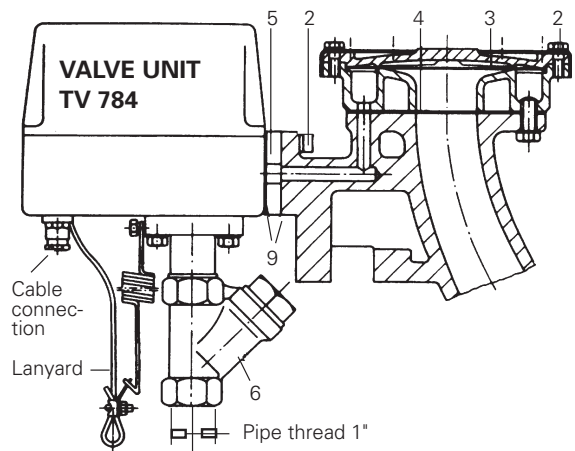


View from beneath

Spare Parts MKT 150/110			
No.	Name	Material	Ref. no.
1	Horn MKT 150/110	Glass-fibre reinf. polyester	32170690
2	Screw M6S 8 x 25	Stainl. steel	32570028
3	Diaphragm set KM 150 MKT	Titan/ Nitrile rubber	39880259
4	Packing	Nitrile rubber	37710234
5	Choke flange (state pressure)	Brass	21768201
6	Filter	Brass	32170417
9	Packing 62 x 62 x 1	Nitrile rubber	21765037

Spare parts can be obtained from Kockum Sonics or their agents. When ordering, please, give working pressure, reference number and part name.

Spare parts for valve unit, see Valve Unit TV 784, KSM 264.



Pipe line dimensions		
Working pressure MPa (overpressure)	Length of pipe metres	Inside diam. of pipe, mm (inches)
below 2,0	Max. 150 150—350	Min. 29 (1¼")* Min. 35 (1½")*
above 2,0	Max. 150 150—350	Min. 23 (1")* Min. 28 (1¼")*

\*Converting muff necessary for connection to signal apparatus.

## Air Pressure Choking

The basic condition for good performance and reliable function is the appropriate air pressure activating the diaphragm.

When ordering, please state the working pressure. If the connection pipe is dimensioned in accordance with the recommendations (see table), the pressure gauge reading at the air receiver in the engine room is adequate for choice of choke.

Subject to alteration without notice.