



Network Master clock 20101evo - HEDI

Unsere neueste und leistungsstärkste Netzwerk-Hauptuhr.

Mit 4 integrierten NTP-Servern, die eine einheitliche Zeitverteilung der UTC und LT auch im Netzwerk ermöglichen. Im Zusammenhang mit Ethernet-Nebenuhren bildet diese Hauptuhr ein modernes, intelligentes und bedienungsfreundliches Uhren-system, das kaum Wünsche offen lässt.



Master clock monitor 20101evo - BEMOtouch

Our newest and most powerful master clock

with 4 integrated NTP servers enabling a uniform transmission of UTC and LT in a network. Combined with Ethernet slave clocks this master clock is a modern, intelligent and easy-to-operate system, which leaves almost nothing to be desired.

MASSZEICHNUNG / DIMENSION DRAWING

Network Master clock 20101evo - HEDI

Front view



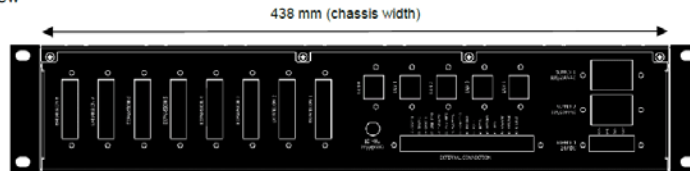
483 mm

Side view



335 mm (additional space for connectors required)

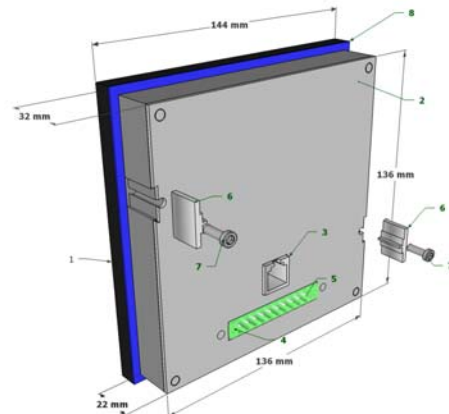
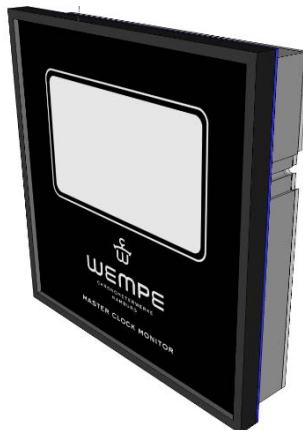
Rear view



438 mm (chassis width)

8 Slots for optional expansion modules

Master clock monitor 20101evo - BEMOtouch



TECHNISCHE DATEN - NETZWERK HAUPTUHR 20101EVO HEDI		
Ethernet	IPv4	Ethernet
Ethernet-Schnittstellen	5x RJ-45, 100/1000Base-TX	Ethernet interfaces
LAN 0 - 3	NTP-Server Version 4: UTC or Local Time on any LAN available Access to the web interface (http/https); NTP client freely configurable	LAN 0 - 3
LAN 4	Monitoring-Uplink between Primary Clock and Backup Clock over Ethernet	LAN 4
Sinus-Ausgang	10.0000 MHz, GPS disciplined 1V @ 50 Ω	Sinewave output
Serieller Eingang (GPS)	1x RS422 (NMEA)	Serial interface input (GPS)
GPS Eingang PPS	1x digital input, 5Vpp, polarity switchable	GPS Pulse per second(PPS) input
Netzwerk-Nebenuhren	Up to 65534 devices PoE support, Local time or UTC output. NTP clients. Monitored by Master Clock.	Secondary IP Clocks
Betriebstemperaturbereich	0 to 50°C	Operating Temperature
Gewicht	approx. 8 kg / 17,6 lbs	Weight
Abmessungen	Overall Width 483 mm Internal width 438 mm Height 88 mm Depth 335 mm without connectors	Dimensions
Gehäuse	Steel, 19 inch, 2HU	Case
Genauigkeit	±5ms/d (autonomous on own quartz electronic) (higher accuracy with GPS synchronization or higher-ranking NTP server)	Accuracy
Stromverbrauch	max. 100W per power supply unit current consumption under normal continuous operation 20W with one power supply unit, 2x12W with two power supply units	Power consumption
Optionale Erweiterungsmodule	- Inter Range Instrumentation Group (IRIG) - Analog clock driver - Additional serial interfaces - Customer specific modules	Optional expansion modules (non-redundant systems only)
Stromversorgung	1x 115..230VAC, optional: 2x 115..230VAC, redundant operation 1x 24VDC ±10% Minimum required: 1 supply	Power supply
USV	Optional external UPS, single or dual	UPS
TECHNICAL DATA - NETWORK MASTER CLOCK 20101EVO - HEDI		

KONFIGURATION / ÜBERWACHUNG - NETZWERK HAUPTUHR 20101EVO HEDI		
Konfiguration	Master clock Web-interface	Configuration
Hauptuhr-Bedienmonitor BEMOtouch	External Ethernet device for monitoring and time adjustment (normally mounted on bridge, Multiple devices supported, PoE supplied)	Master clock monitor BEMOtouch
Abmessungen BEMOtouch	Overall Width 144 mm Overall Height 144 mm Space requirement behind panel: 80 mm Panel cutout: 137 x 137 mm	Dimensions BEMOtouch
Kabelspezifikation für Netzwerk-Nebenuhrmodul ENI für Bedienmonitor BEMOtouch	Standard ISO/IEC 11801; Cat.5e, Cat. 6, Cat.7, 10BASE-T und 100BASE-T, Copper Example: CAT5e 4 x 2 x AWG26/7	cable specification for Ethernet slave cl. interface ENI for Master cl. monitor BEMOtouch

CONFIGURATION / MONITORING - NETWORK MASTER CLOCK 20101EVO - HEDI

TECHNISCHE DATEN - BEDIENMONITOR BEMOTOUCH

Gehäuse	material: aluminium protection type: front IP54	Case
Schutzklasse	IP54 (front)	Protection grade
Abmessungen	WxHxD: 144x144x25 mm (without rear plugs) Space required behind panel including connectors: 80 mm	Dimensions
Panelausschnitt	137mm x 137mm	Panel cut-out
Betriebstemperaturbereich	0 to 50°C	Operating temperature
Gewicht	approx. 0,4 kg / 12,8 oz.	Weight
Steuereinheit	32bit microcontroller and display controller	Controller
Anzeige-Bildschirm	480 x 272 pixel color TFT with Touch Screen , LED backlight Color resolution: 24 bit Screen diagonal: 4,3 “ Visible screen area: 85 x 54 mm	Display
Steckverbindung	RJ45 Ethernet socket Optional 10-terminal PHOENIX connector for external 24VDC supply (if no PoE is available) and auxiliary functions	Connection
Helligkeitsregler	Dimmable via touch screen buttons or external potentiometer Optional display shutdown by external contact for military applications	Dimmer
Bedienung	Touch screen, no mechanical parts	Operation
Stromzufuhr	via Ethernet cable, Class 2 PoE device. or 24VDC $\pm 10\%$ external supply	Power supply
Stromverbrauch	60mA with display dark 100mA with display fully bright	Power consumption
Schnittstellen	Ethernet 100 Base-T, RJ-45 socket Synchronization via network Power Supply as class 2 PoE device	Interfaces

TECHNICAL DATA - OPERATION MONITOR BEMOTOUCH