

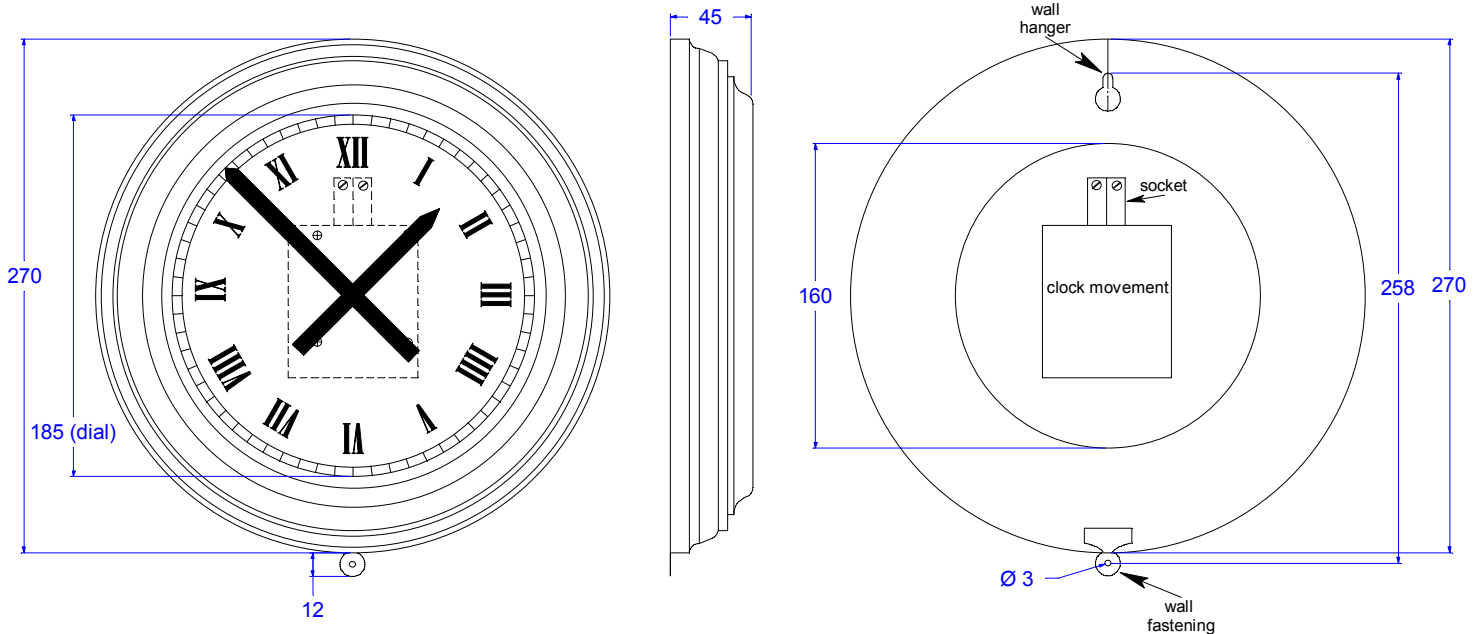


ZEITLOSE MARITIME ELEGANZ!
 DIESE DEKORATIVE SCHIFFSUHR IST EIN WAHRES
 „SCHMUCKSTÜCK“ FÜR JEDEN RAUM.

TIMELESS MARITIME ELEGANCE!
 THIS DECORATIVE MARINE CLOCK HAS A REAL "PIECE
 OF JEWELLERY" OF EVERY ROOM.

GEHÄUSE	MESSING GLASRAND, MAHAGONI HOLZRAHMEN
HOUSING	BRASS GLASS-TOP, MAHOGANY WOODEN SURROUNDING RING
ABMESSUNGEN (MM) DIMENSION (MM)	Ø 270 / HÖHE 45 Ø 270 / HEIGHT 45
ZIFFERBLATT (MM) DIAL (MM)	ALUMINIUM WEISS Ø 165 ALUMINIUM WHITE Ø 165
SKALA SCALE	SCHWARZ RÖM./ARAB. BLACK ROMAN/ARAB
GEWICHT (KG) CA. WEIGHT (KG)	1,2

MASSZEICHNUNG / DIMENSION DRAWING (MM)



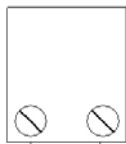
VERFÜGBARE UHRWERKTECHNOLOGIEN
AVAILABLE CLOCK MOVEMENT TECHNOLOGIES

MODELL MODEL	ZEIGER HANDS	UHRWERKTECHNOLOGIE MOVEMENT TECHNOLOGY
20036/T	2 (STD./MIN.) 2 (H/M)	NEBENUHR VORWÄRTS LAUFEND FÜR POLARISIERENDE MINUTENIMPULSE 12 ODER 24V SECONDARY CLOCK ADVANCE RUNNING FOR POLARISED MINUTE IMPULSES 12 OR 24V
20036/M	2 (STD./MIN.) 2 (H/M)	NEBENUHR VORWÄRTS LAUFEND SELBSTRICHTEND ÜBER MOBALINE BUS-SYSTEM SECONDARY CLOCK ADVANCE RUNNING SELF-ADJUSTING STEERED BY MOBALINE BUS-SYSTEM
20036/S	2 (STD./MIN.) 2 (H/M)	NEBENUHR VORWÄRTS UND RÜCKWÄRTS LAUFEND FÜR POLARISIERENDE 1/2 MINUTENIMPULSE 24V SECONDARY CLOCK ADVANCE AND REVERSE RUNNING FOR POLARISED 1/2 MINUTE IMPULSES 24V
20036/IP	2 (STD./MIN.) 2 (H/M)	ETHERNET NEBENUHR SELBSTRICHTEND PoE (POWER OVER ETHERNET) ETHERNET SECONDARY CLOCK SELF-SETTING PoE (POWER OVER ETHERNET)
20036/B	2 (STD./MIN.) 2 (H/M)	SCHIFFSUHR MIT QUARZUHRWERK BATTERIE 1,5V (IEC LR6) BETRIEBEN NETZUNABHÄNGIG BETRIEB MARINE CLOCK WITH QUARTZ CLOCK MOVEMENT BATTERY POWERED 1,5V (IEC LR6) AUTONOMOUS OPERATION

KLEMMLEISTE / TERMINAL BLOCK

TYPE - T

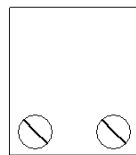
Movement
plug connection



Minute advance impulse 12 or 24 VDC
(switchable) input
Minute advance impulse 0 VDC input

TYPE - M

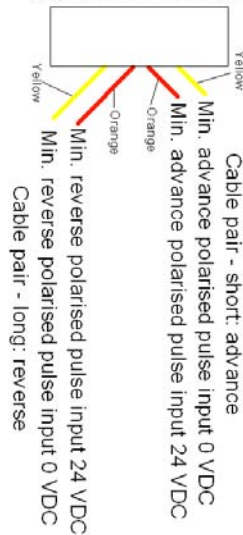
Movement
plug connection



MOBALine BUS system input
MOBALine BUS system input

TYPE - S

Cable from movement



TYPE - IP

ENI v1
(WEMPE ETHERNET
SECONDARY CLOCK
INTERFACE)

CONNECTOR RJ45

ETHERNET 10BASE-T

IPv4

NETWORK CABLE

TWISTED PAIR

CATEGORY 3
AND
HIGHER

TYPE - B/Q

VERY SILENT
QUARTZ MOVEMENT
MADE IN GERMANY

TYPE B:
BATTERY POWERED

BATTERY:
1X MIGNON-CELL
(AA) – LR6 1,5V

TYPE Q:
24 VDC

ACCURACY:
≤1 s/D (DIN 8325)

OPERATING
TEMPERATURE:
-5°C TO +50°C