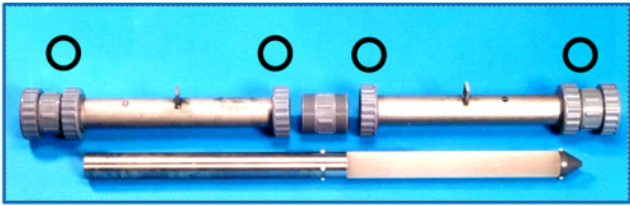
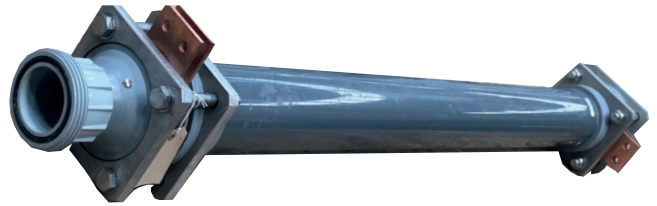




**FEWER SEALS ON MKIV MEANS SIMPLER MAINTENANCE**

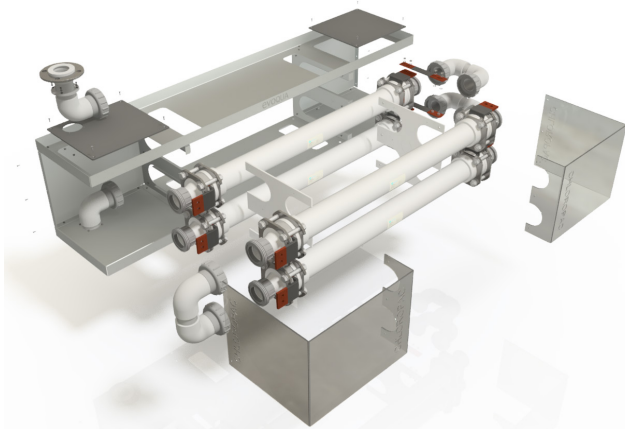


MKII four 'O' rings per cell



MKIV zero 'O' rings per cell

**MKIV MODULE CONSTRUCTION ALLOWS FOR SMALLER LIGHTER CHLOROPAC® AND SeaCURE® SYSTEMS**



New systems are up to 70% smaller than previous models. Universal system designs have fewer electrical/ mechanical connections allowing easy installation, whilst also reducing maintenance time and costs.



WDSRO 65%DU W7K MKOD  
 DOP P