

# Bell and Gong

Electromechanical Bell and Gong for use aboard vessels at anchor or aground in restricted visibility



**Bell type KB 30**



**Gong type KG 50**

## General Information

According to the International Regulations for Preventing Collisions at Sea 1972, Rule 33, vessels of 20m in length or more shall be equipped with a bell, and vessels of 100m or more shall, in addition, be provided with a gong. The Bell KB 30 and Gong KG 50 units with electromagnetic strikers are especially developed to meet these regulations.

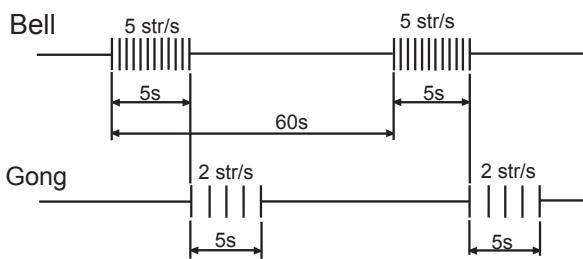
Clear and well-sounding tones are obtained by the choice of heavy bronze for the bell and gong pieces. Other vital parts are of stainless steel.

For emitting the prescribed signal characters, the bell and gong units are controlled by an electronic timer for panel mounting. The timer has an operating switch and three indicating LED lights.

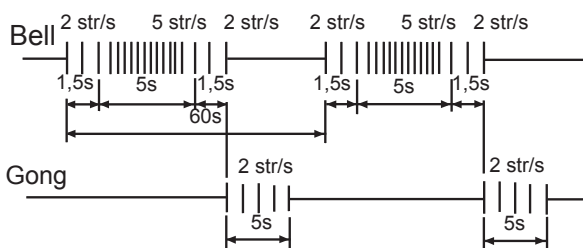
Owing to powerful strokes, the stand structures must be well fixed horizontal by means of four M10 bolts. Cabinet doors must be locked during signalling.



**Electronic Timer TI 66**



**Repeating signal characters for ship at anchor**

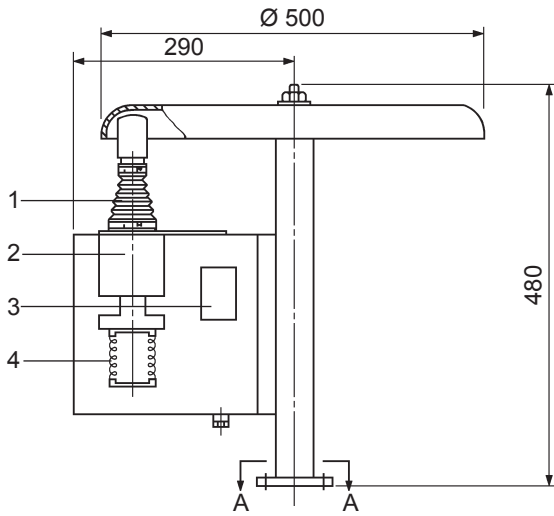


**Repeating signal characters for ship aground**

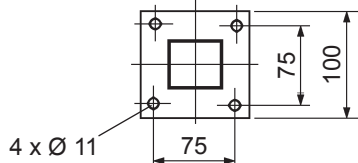
## Technical Data

- Power consumption: 5A at 230V AC or 10A at 115V AC
- Starting current factor  $I_s/I = 6$ .
- Heating element: 25W
- Sound Pressure Level (min.): 110 dB at 1m
- Bell unit KB 30
  - Dimensions: 310 x 660 x Ø 300mm
  - Weight: 34 kg
- Gong unit KG 50
  - Dimensions: 480 x 530 x Ø 500mm
  - Weight: 24 kg
- Material: Bronze, stainless steel and plastic coated zincified steel
- Electronic timer TI 66
  - Dimensions: 136 x 65 x 160mm (H x W x D)
  - Hole for panel mounting: 68 x 138mm
  - Weight: 8 hg
- Timing accuracy: +2% at 10% voltage variation

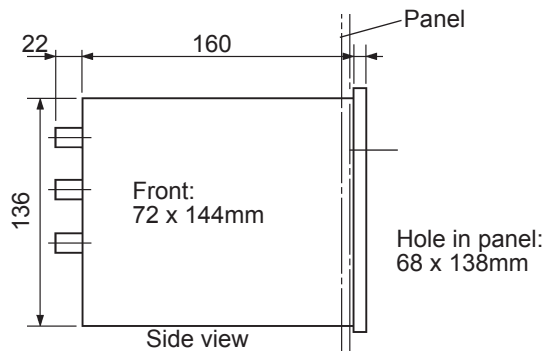
# Units, Dimensions and Wiring Diagram



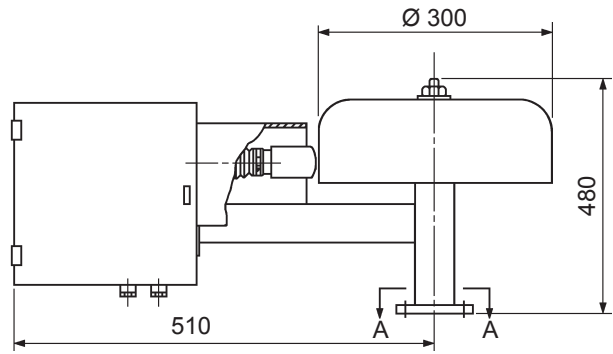
**Gong type KG 50**



**Section A – A**



**Electronic Timer TI 66**

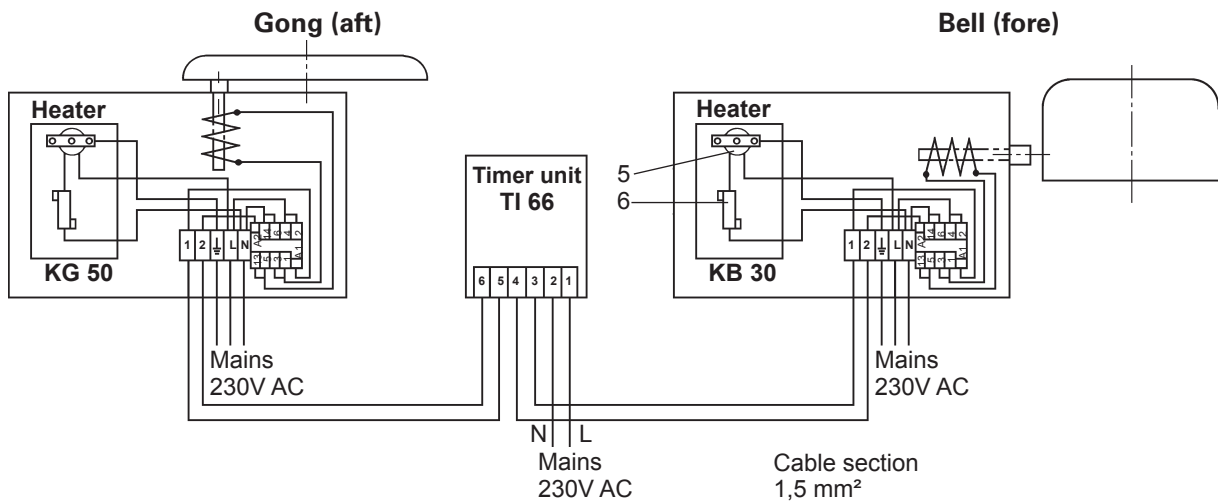


**Bell type KB 30**

## Units

No.	Name	Material	Ref. no.
	Bell KB 30 230V 50 Hz		24530050
	Bell KB 30 230V 60 Hz		24530051
	Gong KG 50 230V 50 Hz		24530060
	Gong KG 50 230V 60 Hz		24530061
	Timer TI 66		24580033
	<b>Spare part: Timer</b>		
	Fuse F1 250mA, slow Ø5 x 20mm		20556313
	<b>Spare parts: Bell and Gong</b>		
1	Protection bellow	Nitrile	21772159
2	Solenoid coil 230V 50 Hz		20400130
	Solenoid coil 230V 60 Hz		20400131
	Solenoid coil 115V 50 Hz		20400132
	Solenoid coil 115V 60 Hz		20400133
3	Contactors 230V 50 Hz	Stainl. steel	20431004
	Contactors 230V 60 Hz		20431005
	Contactors 115V 50 Hz		20431006
	Contactors 115V 60 Hz		20431007
4	Draw spring		20881032
5	Thermostat		36181148
6	Heating Element 230 V	20320029	
	Heating Element 115 V	20320033	

Units can be obtained from Kockum Sonics or their agents. When ordering, please, give reference number and part name.



**Wiring diagram**