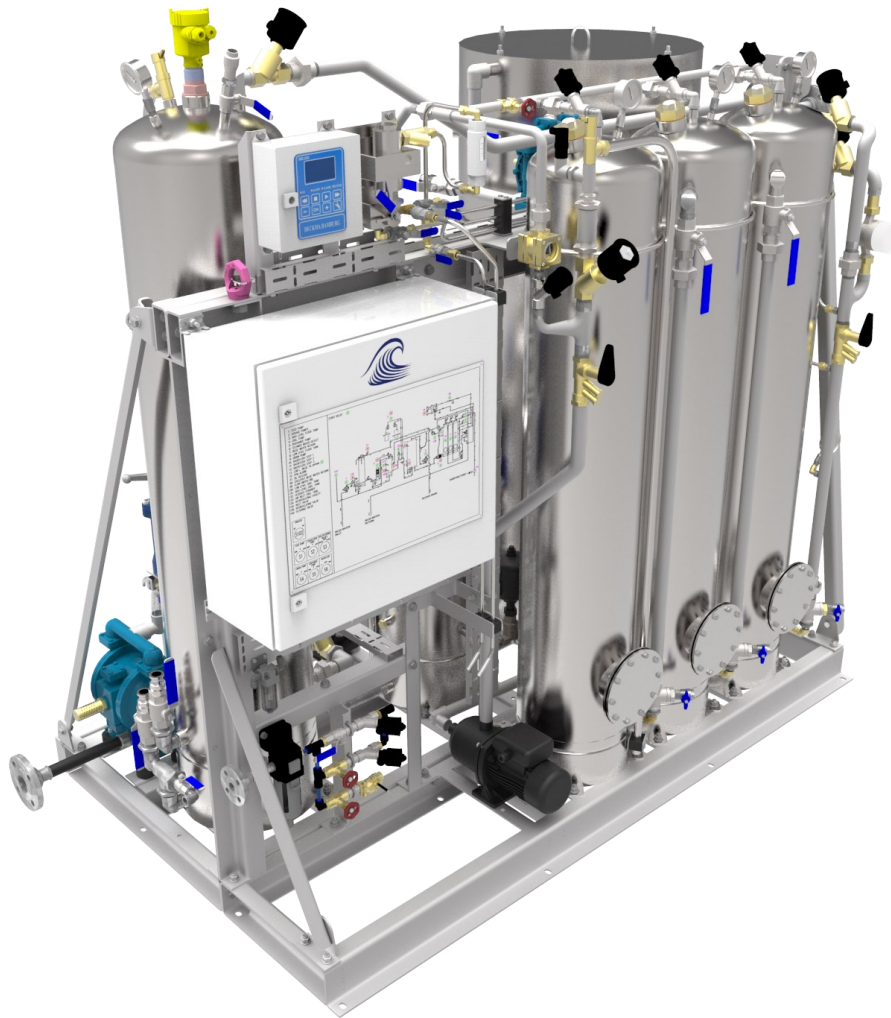


Main data for OWS - CD 2,0



Capacity of treated Bilge Water	Max 2000litres/hour
Operating temperature of Bilge Water	Optimal: +55°C ,Max. +60°C, Min +40°C
Operating pressure	0,25-0,4 MPa(g) / 2,5-4 bar(g)
Test pressure	0,78 MPa(g) / 7,8 bar(g)
Safety valve release (Filters, Oil desc, Circ tank)	0,60 MPa(g) / 6 bar(g)
IP-class	IP 54
Voltage supply	3x400-440 Vac, 50-60 Hz
Fuse	10 A
Electric Power Consumption	2,56 kW
General Service Air Pressure	0.6-0.9 MPa(g) 6-9 bar(g)
General Service Air Consumption	< 9 normal litres/second
Total net weight inc. Filter media (dry)	1110 kg
Total operating weight	2010 kg
Ambient temperature	+55 C

Marinfloc AB, Industrivägen 10 , 472 95 Varekil, Sweden
 Phone: +46 (0)304 606300
 Fax: +46 (0)304 10051
 E-mail: marinfloc@marinfloc.com

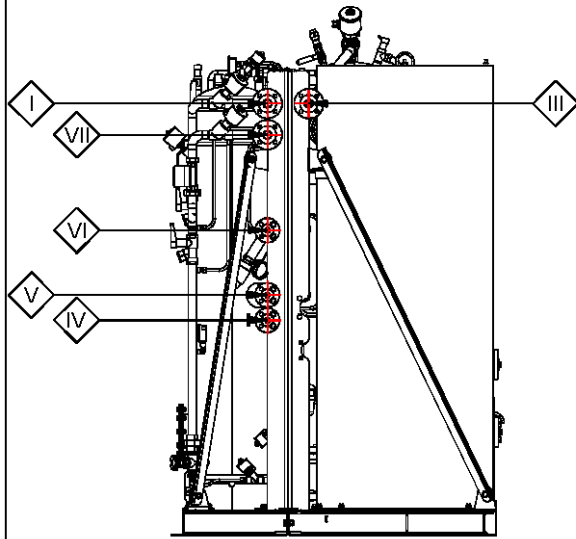


Made in Sweden
by Marinfloc

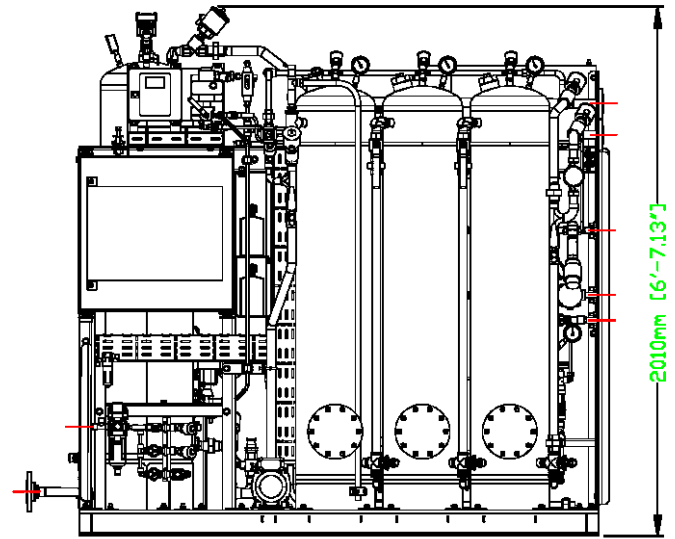
CD-2

DATA:
Capacity: 2000 liters/hour [530 gallons/hr]
Dry Weight: 1110kg [2450 lbs]
Operation Weight (Wet): 2010kg [4430 lbs]

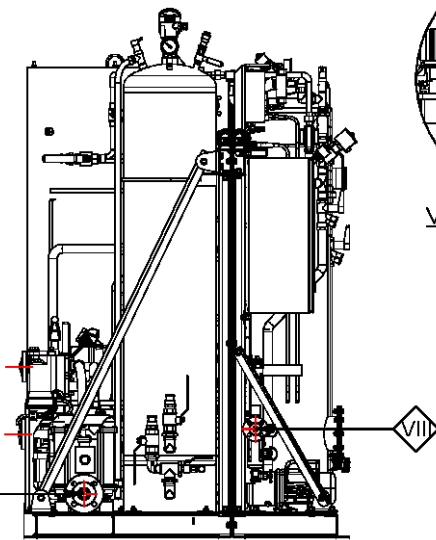
Main dimensions and connections



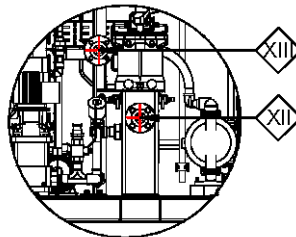
RIGHT SIDE VIEW



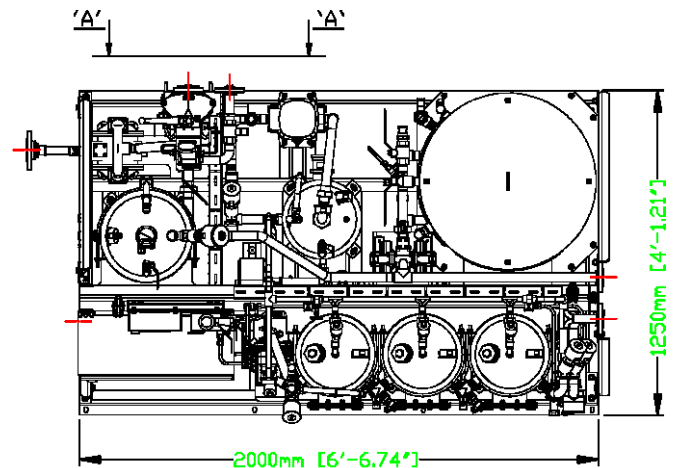
FRONT VIEW



LEFT SIDE VIEW



VIEW FROM 'A-A'



PLAN VIEW

POS.	DENOMINATION	DIM.	RATING/FACE	TYPE/MATERIAL	DIRECTION
I	Oil Release	DN40 [1 1/2"]	PN16, Raised Face	DIN-2633 Galvanised Steel	Outlet
II	Suction to Feed Pump	DN50 [2"]	PN16, Raised Face	DIN-2633 Galvanised Steel	Inlet
III	Bilge Water Return [≥15 PPM]	DN32 [1 1/4"]	PN16, Raised Face	DIN-2633 Galvanised Steel	Outlet
IV	Inlet From External 67C Backflush Heater	DN15 [1/2"]	PN16, Raised Face	DIN-2633 Galvanised Steel	Inlet
	OPTION 1: Potable water inlet	DN15 [1/2"]	PN16, Raised Face	DIN-2633 Galvanised Steel	Inlet
V	OPTION 1: Condensate from 67C Backflush Heater	DN15 [1/2"]	PN16, Raised Face	DIN-2633 Galvanised Steel	Outlet
VI	Potable water inlet	DN15 [1/2"]	PN16, Raised Face	DIN-2633 Galvanised Steel	Inlet
	OPTION 1: Steam Inlet to 67C Backflush Heater	DN15 [1/2"]	PN16, Raised Face	DIN-2633 Galvanised Steel	Inlet
VII	Cleaned Bilge Water Discharge [≤15 PPM]	DN32 [1 1/4"]	PN16, Raised Face	DIN-2633 Galvanised Steel	Outlet
VIII	Service Air Connection	DN15 [1/2"]	PN16, Raised Face	DIN-2633 Galvanised Steel	Inlet
XI	OPTION 2: Inlet from 67B Bilge Water Heater	DN25 [1"]	PN16, Raised Face	DIN-2633 Galvanised Steel	Inlet
XII	OPTION 2: Outlet to 67B Bilge Water Heater	DN25 [1"]	PN16, Raised Face	DIN-2633 Galvanised Steel	Outlet